

PROPRIETARY DATA

PROPERTY OF ACE ROTO-MOLD MFG., INC. INFORMATION FURNISHED HEREIN IS THE PROPERTY OF ACE ROTO-MOLD MFG., INC. AND SHALL NOT BE USED, DISCLOSED TO OTHERS, OR COPIED WITHOUT THE EXPRESSED WRITTEN CONSENT OF ACE ROTO-MOLD MFG., INC. ALL RIGHTS RESERVED.

VT3000-90

A

FEATURES

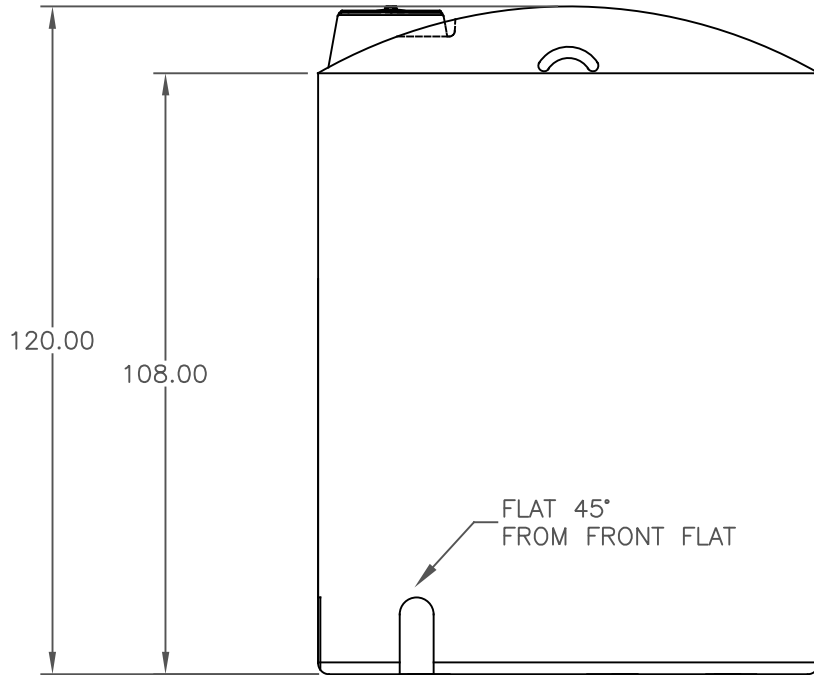
1. HEAVY DUTY POLYETHYLENE CONSTRUCTION
2. 1 PIECE ROTATIONALLY MOLDED
3. TRANSLUCENT
4. FDA APPROVED RESIN
5. CALIBRATED IN GALLONS
6. THREE YEAR WARRANTY
7. UV STABILIZED
8. SPECIFIC GRAVITY RATING IS 1.70

Ø16 INCH LID

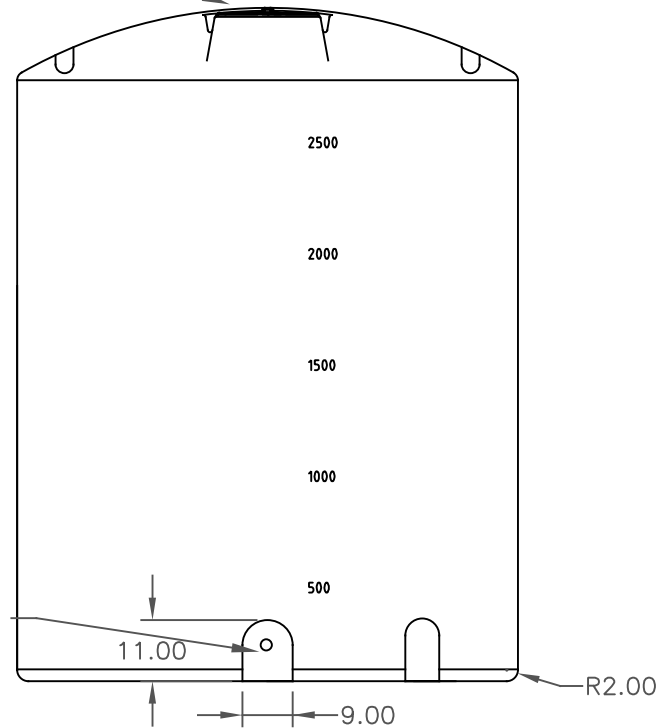
TIE DOWNS

Ø91.00 (A)

Ø19.00



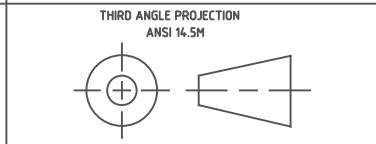
FLAT FOR FITTING 2 INCH STANDARD



DRAWN / DATE				
NVE 6/10/05				
APPRD. / DATE				
DHJ 6/21/05				

MATERIAL	
PE OR EQUIVALENT REFERENCE MATERIAL DATA SHEET FOR SPECIFIC PROPERTIES.	

 ACE ROTO-MOLD A DIVISION OF DEN HARTOG INDUSTRIES, INC. 4018 HWY. 60 BLVD., BOX 421, HOSPERS, IOWA 51238		CLIENT / DESCRIPTION	
		3000 GALLON VERTICAL TANK	



NOTES:

1. .490 THICK AT FITTING
2. BLUE, GREEN, YELLOW, BLACK, OR WHITE COLOR
3. SHOT WEIGHT 550 LBS.

SCALE	N.S.
-------	------

PART NO.	VT3000-90
----------	-----------

ALL DIMENSIONS ARE IN DECIMAL INCHES
TOLERANCES UNLESS OTHERWISE SPECIFIED
± 1% @ 68° F