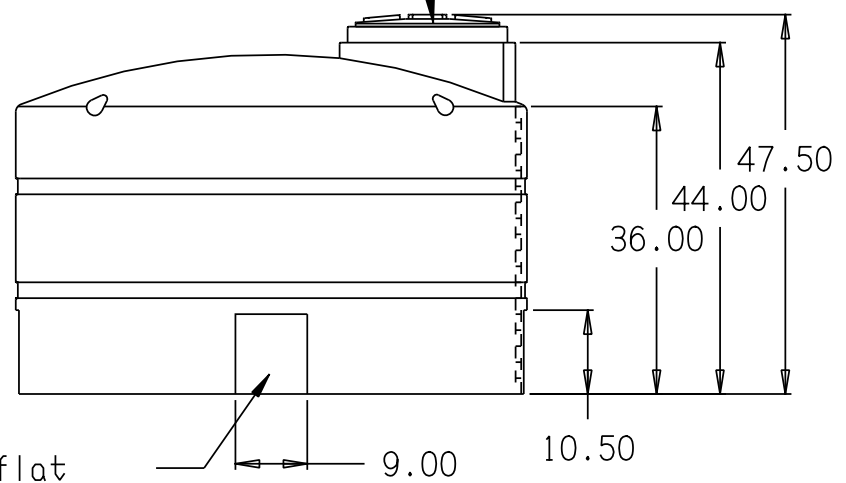


18" PE threaded manway
with 15" access



Fitting flat
4 places typical

* BASE FITTINGS TO BE LEFT INSTALLED AT TIME OF SHIPMENT PER SII PROCEDURE
 * Consult Snyder's Guidelines for Use and Installation prior to delivery.
 Available on-line at www.snydernet.com

(all dimensions in inches)

PART #	TANK: 8060000N-- (P)
REF#:	00000

550 GALLON VERTICAL STORAGE TANK