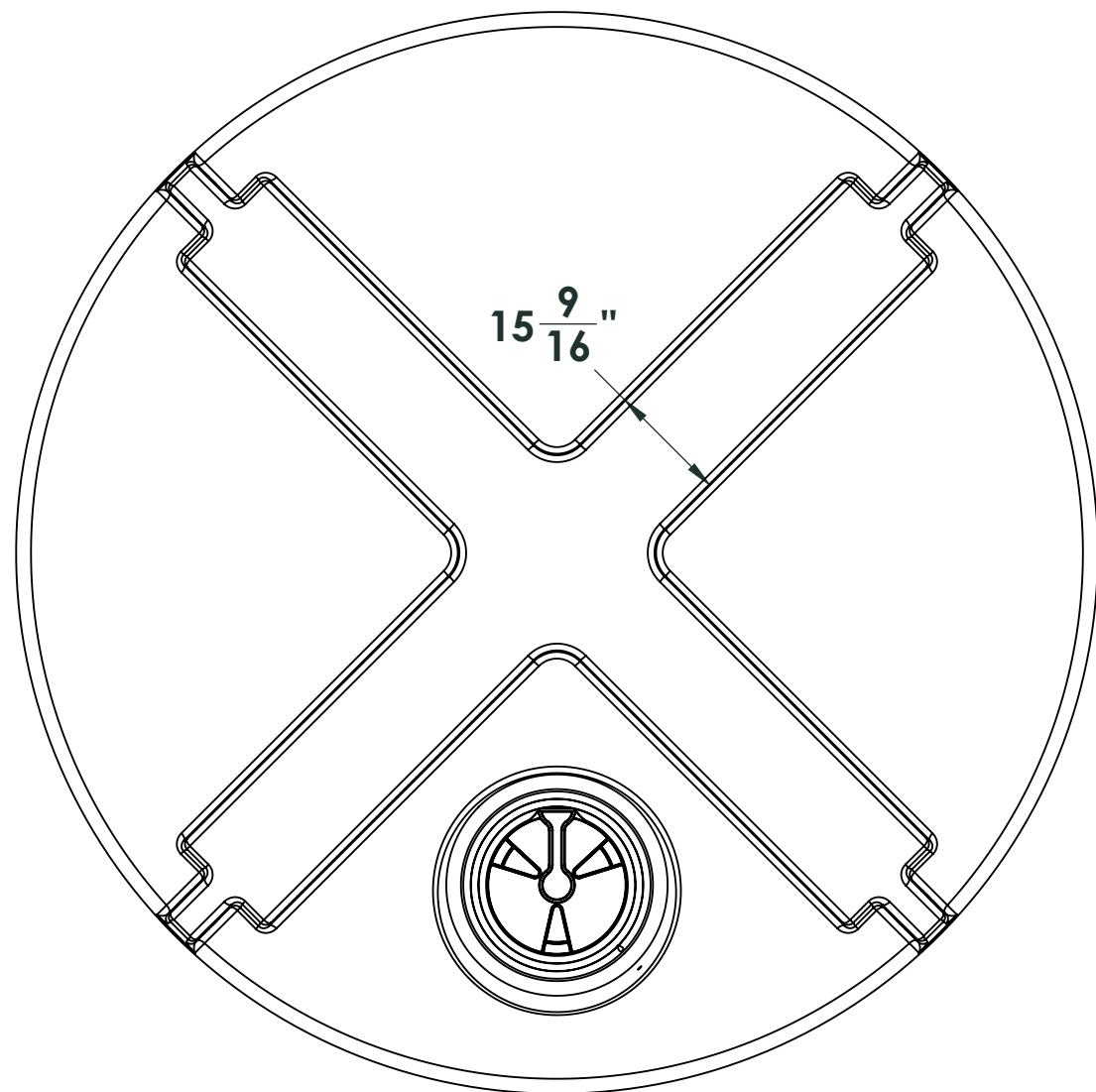


4

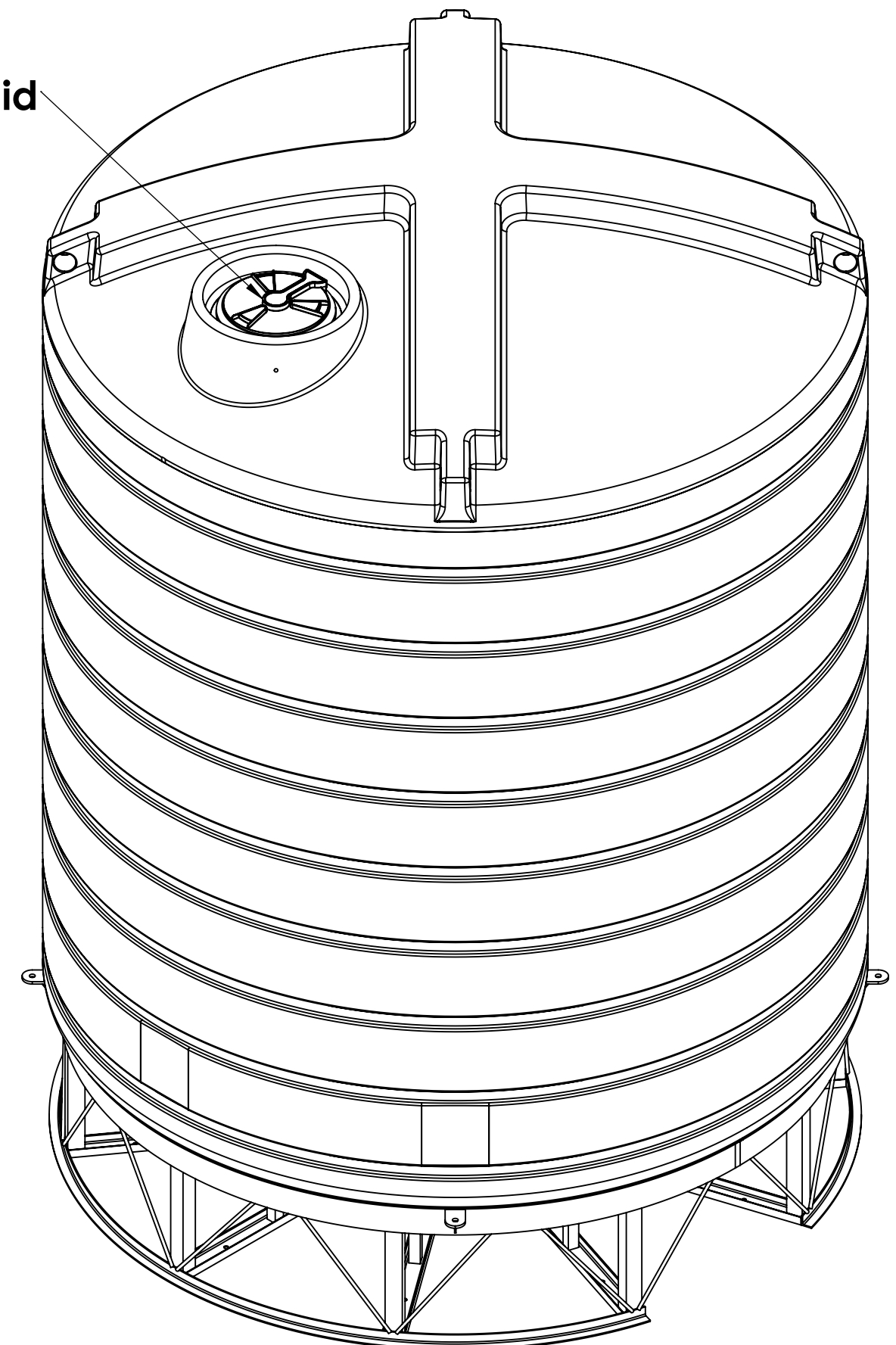
3

2

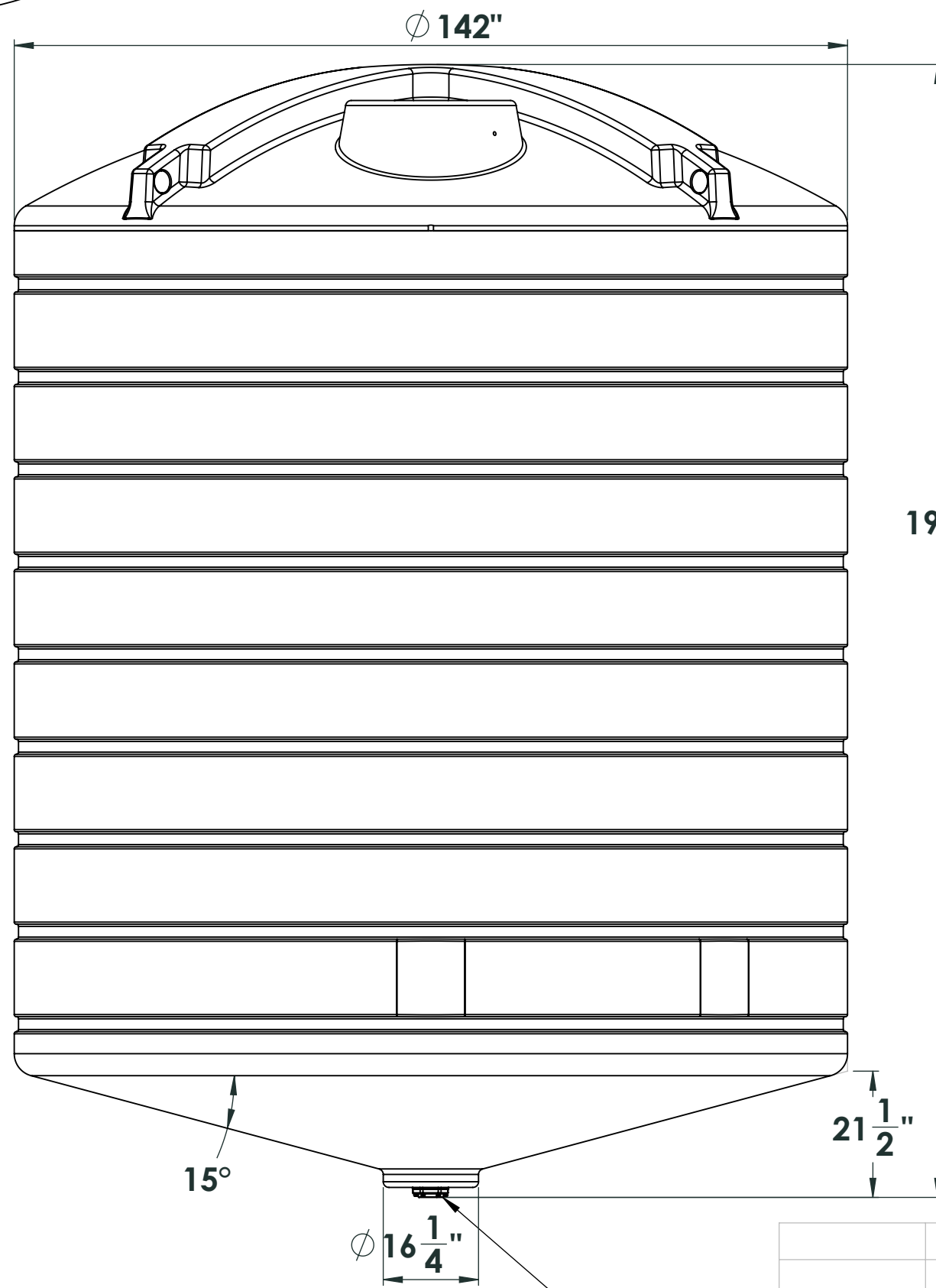
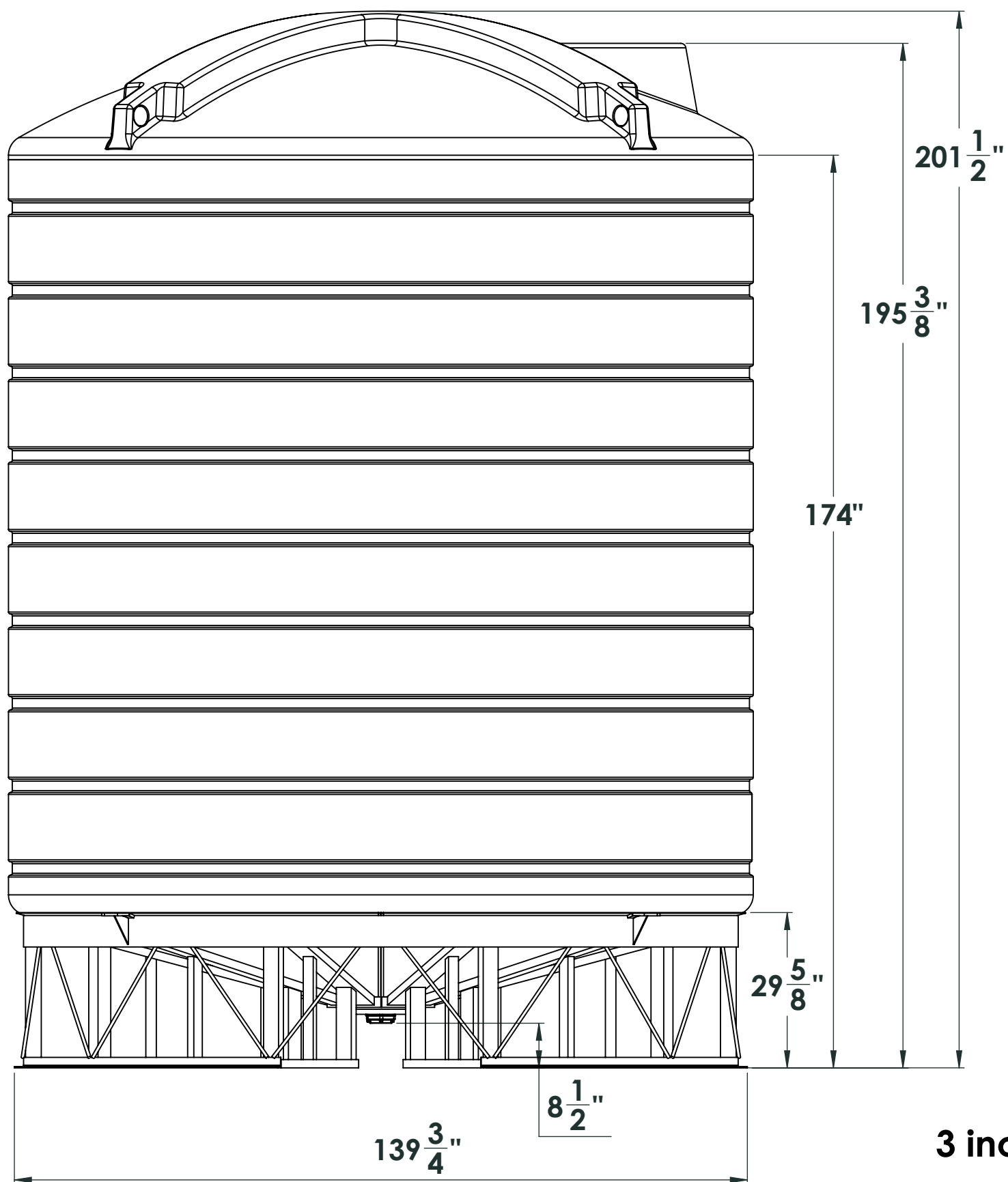
1



16 inch lid



Shown with AZFC06011 stand



3 inch bolted - bottom drain fitting

NOTE: Allow +/- 1.5% Shrinkage

PROPRIETARY AND CONFIDENTIAL
 THE INFORMATION CONTAINED IN THIS DRAWING IS THE SOLE PROPERTY OF ENDURAPLAS LLC. ANY REPRODUCTION IN PART OR AS A WHOLE WITHOUT THE WRITTEN PERMISSION OF ENDURAPLAS LLC IS PROHIBITED.

| | | | | | |
|--------------------------------------|-------------|-----------|------|----------------|--------------|
| UNLESS OTHERWISE SPECIFIED: | | NAME | DATE | ENDURAPLAS LLC | |
| DIMENSIONS ARE IN INCHES | | DRAWN | DNS | TITLE: | |
| TOLERANCES: | | CHECKED | | THC10000 | |
| FRACTIONAL ± | | ENG APPR. | | SIZE | DWG. NO. |
| ANGULAR: MACH ± | | MFG APPR. | | C | |
| TWO PLACE DECIMAL ± | | Q.A. | | SCALE: 1:50 | WEIGHT: |
| THREE PLACE DECIMAL ± | | COMMENTS: | | | SHEET 1 OF 1 |
| INTERPRET GEOMETRIC TOLERANCING PER: | MATERIAL | | | REV | 1 |
| FINISH | APPLICATION | | | | |
| NEXT ASSY | USED ON | | | | |
| DO NOT SCALE DRAWING | | | | | |

4

3

2

1

D

D

C

C

B

B

A

A