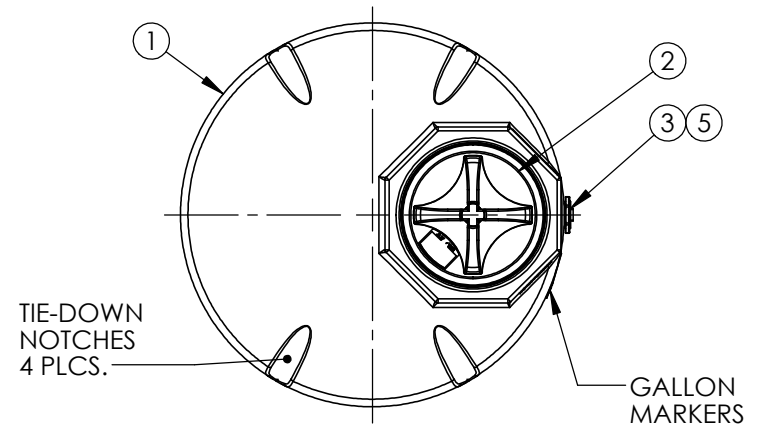
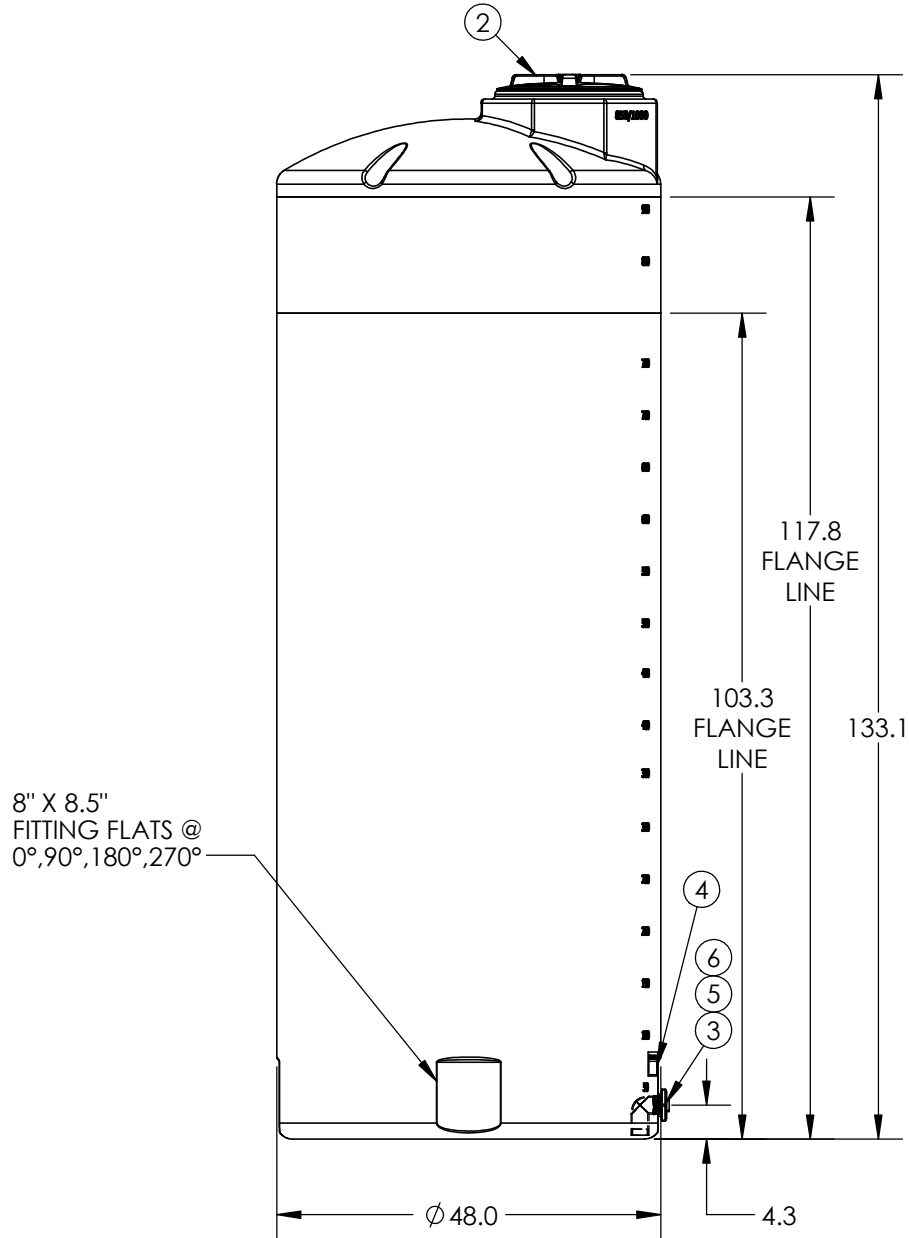


PART NUMBER	DESCRIPTION
45926	PREMIUM WEIGHT NAT
45928	HEAVY WEIGHT BLUE



6	1	60335	SIPHON TUBE PP 2IN X 3-3/4LG
5	1	60021	2" NPT PLUG
4	1	61847	DECAL AG WARNING - SMALL
3	1	63481	FTG 2IN STD BH PP/EPDM
2	1	63485\60081\62531\61848	ASM LID 16IN W/ SNAP-IN VENT
1	1	90227\90227-1	1005G X 48 VERTICAL

ITEM NO.	QTY.	PART NUMBER	DESCRIPTION
DO NOT SCALE			
STATUS:		Released	
© TANK HOLDING, CORP, 2026			
TITLE:		1005 VERTICAL W/FTG	
PART NO.		SEE CHART	
REVISION		A	
SHEET		1 OF 1	
ENG. ID.		D013608	

*ALL EXTERNAL PIPING MUST BE INDEPENDENTLY SUPPORTED.
 *ONLY BASE FITTINGS TO BE LEFT INSTALLED AT TIME OF SHIPMENT PER THC PROCEDURE.
 ALL DIMENSIONS ARE IN INCHES, NOMINAL, & SUBJECT TO CHANGE WITHOUT NOTICE.
 ALL DIMENSIONS ON ROTATIONAL MOLDED PARTS ARE SUBJECT TO A ± 3% TOLERANCE.

ALL DIMENSIONS, DESIGNS, AND INFORMATION ON THIS PRINT MUST BE CONSIDERED PROPRIETARY TO TANK HOLDING, CORP. AND MAY NOT BE USED, COPIED, OR DISTRIBUTED WITHOUT WRITTEN PERMISSION OF AN OFFICER (OR HIS AGENT) OF THE FIRM.



www.tankholding.com