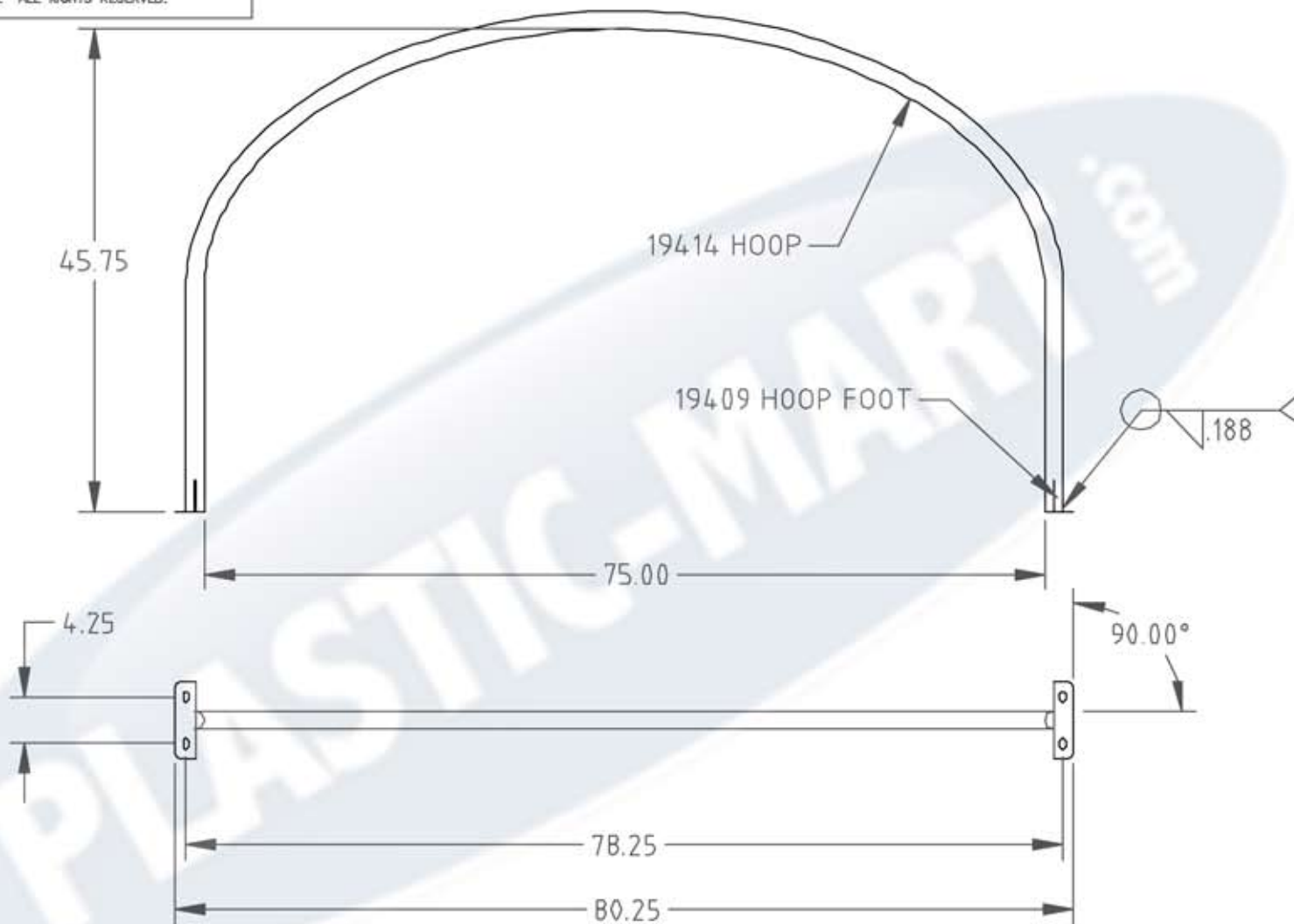



PROPRIETARY DATA

FS1610-HPFS

PROPERTY OF ACE ROTO-MOLD MFG., INC. INFORMATION FURNISHED HEREON IS THE PROPERTY OF ACE ROTO-MOLD MFG., INC. AND SHALL NOT BE USED, DISCLOSED TO OTHERS, OR COPIED WITHOUT THE EXPRESSED WRITTEN CONSENT OF ACE ROTO-MOLD MFG., INC. ALL RIGHTS RESERVED.



				DRAWN / DATE DHJ 3/13/16	MATERIAL		 866-310-2556	
				APPRD. / DATE			CLIENT / DESCRIPTION 1610 HOOP WELDMENT	
REV	DESCRIPTION	DATE	APPRD			SCALE N.S.		PART NO. FS1610-HPFS
ALL DIMENSIONS ARE IN DECIMAL INCHES TOLERANCES UNLESS OTHERWISE SPECIFIED $\pm 1\%$ @ 68° F				THIRD ANGLE PROJECTION AND 1/8"		NOTES: 1. POWDER COAT BLACK 2. SHIPPING WEIGHT = 28 LB.		