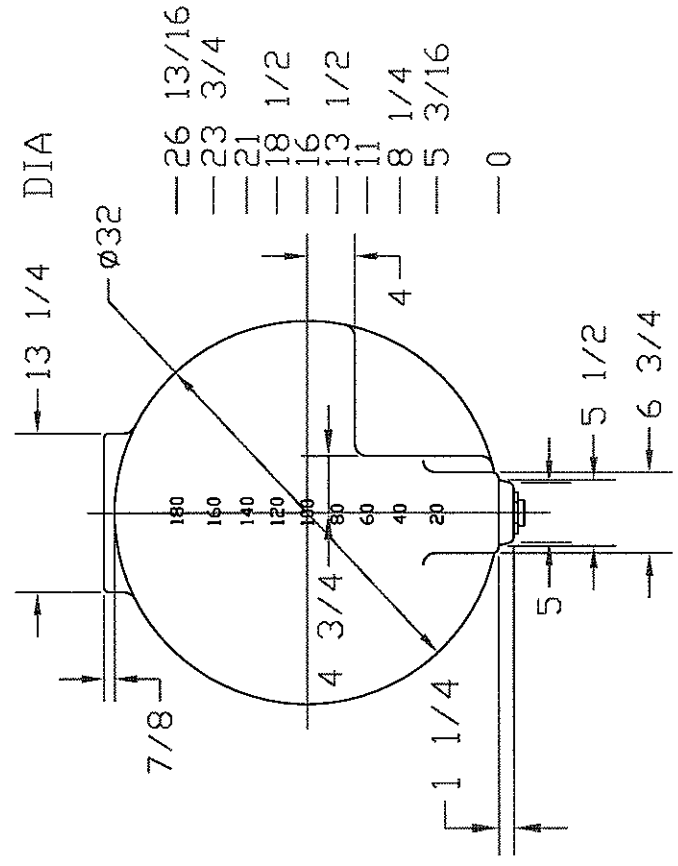
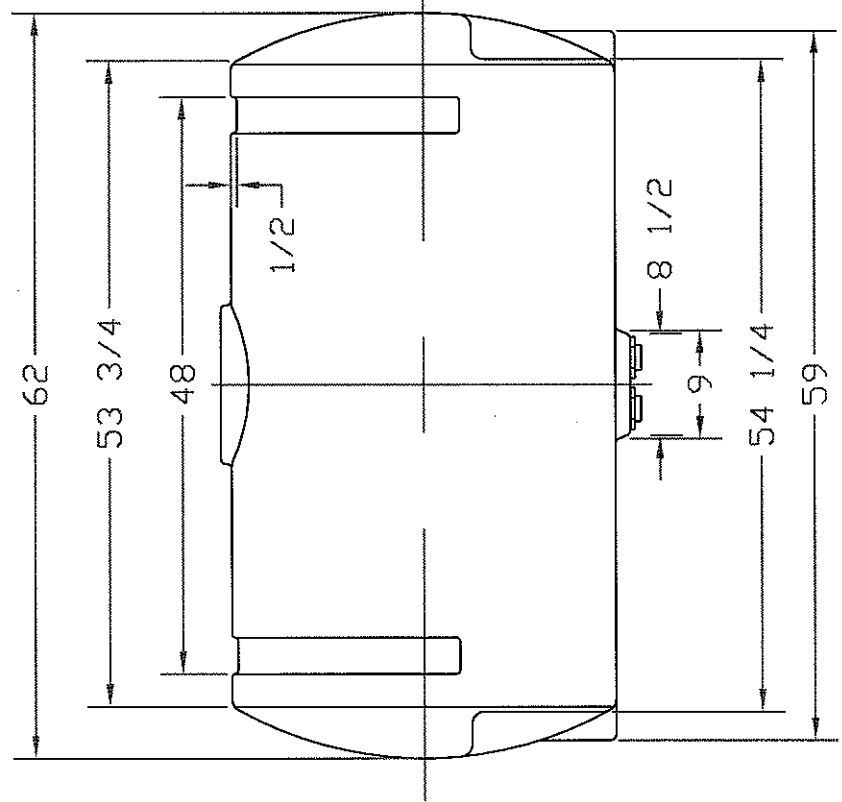
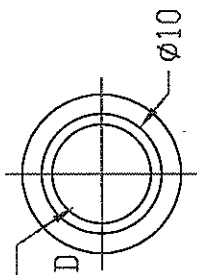
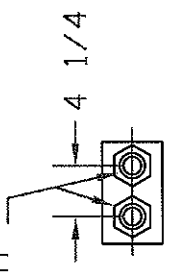


8 1/4" ACME THD
RH, FOR 60002 LID



1-1/4" NPTF



REVISIONS

ZONE	REV	DESCRIPTION	DATE	APPROVED
	A	REVISED & REDRAWN	22FEB95	
	B	FITTINGS UPDATED	09DEC02	

NORWESCO
ST. BONIFACIUS, MN

200 GALLON X 32 DIA
APPLICATOR TANK

JTP	22FEB95	SIZE	FSCM NO.	DWG NO.	REV
		A			B
SCALE 1/16				SHEET	