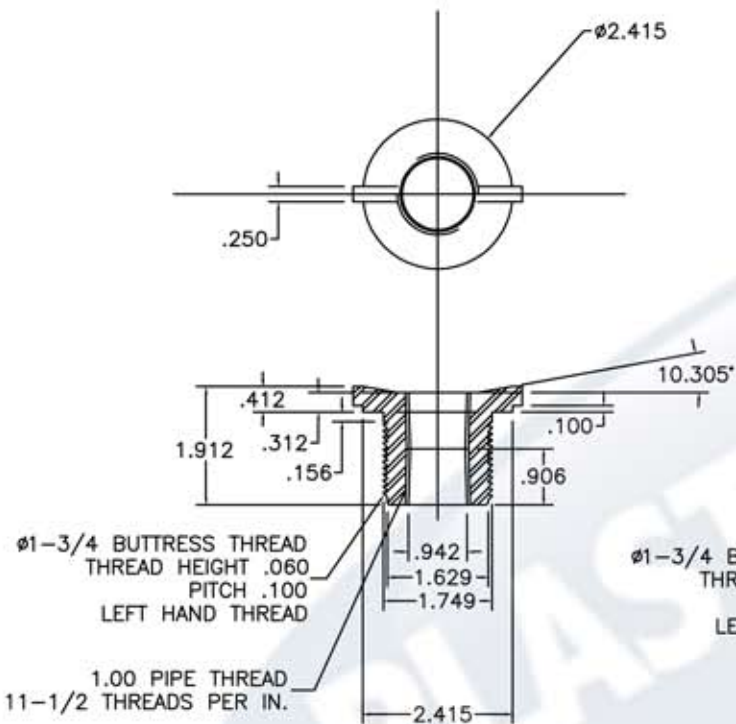
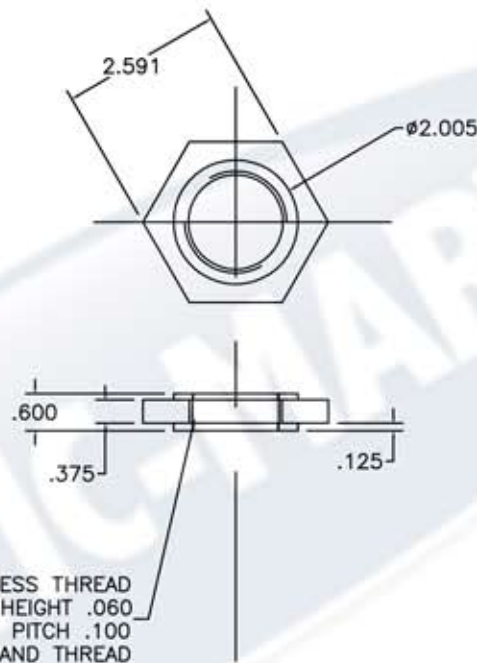


PROPERTY OF ACE ROTO-MOLD MFG., INC. INFORMATION FURNISHED HEREIN IS THE PROPERTY OF ACE ROTO-MOLD MFG., INC. AND SHALL NOT BE USED, DISCLOSED TO OTHERS, OR COPIED WITHOUT THE EXPRESSED WRITTEN CONSENT OF ACE ROTO-MOLD MFG., INC. ALL RIGHTS RESERVED.

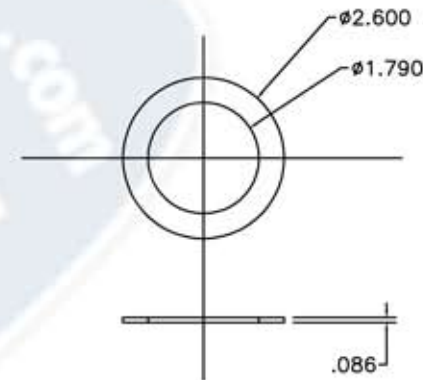
POLYPROPYLENE BODY



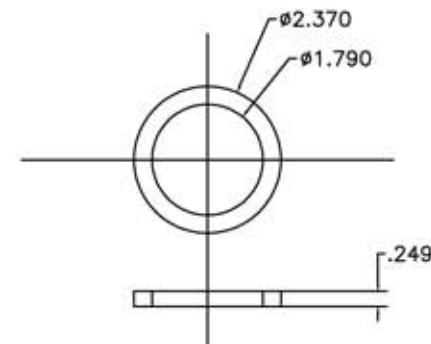
POLYPROPYLENE NUT


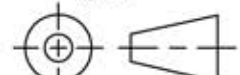


POLYPROPYLENE WASHER



SANTOPRENE GASKET



				DRAWN / DATE NVE 6/20/05		MATERIAL POLYPROPYLENE REFERENCE MATERIAL DATA SHEET FOR SPECIFIC PROPERTIES.		 866-310-2556	
				APPRD. / DATE DHJ 9/21/05		NOTES: 1. BLACK COLOR			
ALL DIMENSIONS ARE IN DECIMAL INCHES TOLERANCES UNLESS OTHERWISE SPECIFIED .XXX +/- .016" .XX +/- .032" X +/- .062"				THIRD ANGLE PROJECTION ANSI 14.5M 				SCALE N.S.	
REV DESCRIPTION DATE APPRD								PART NO. 10485	
A UPDATE LOGO AND TOL. CCN 1296 4-18-07 GWC									