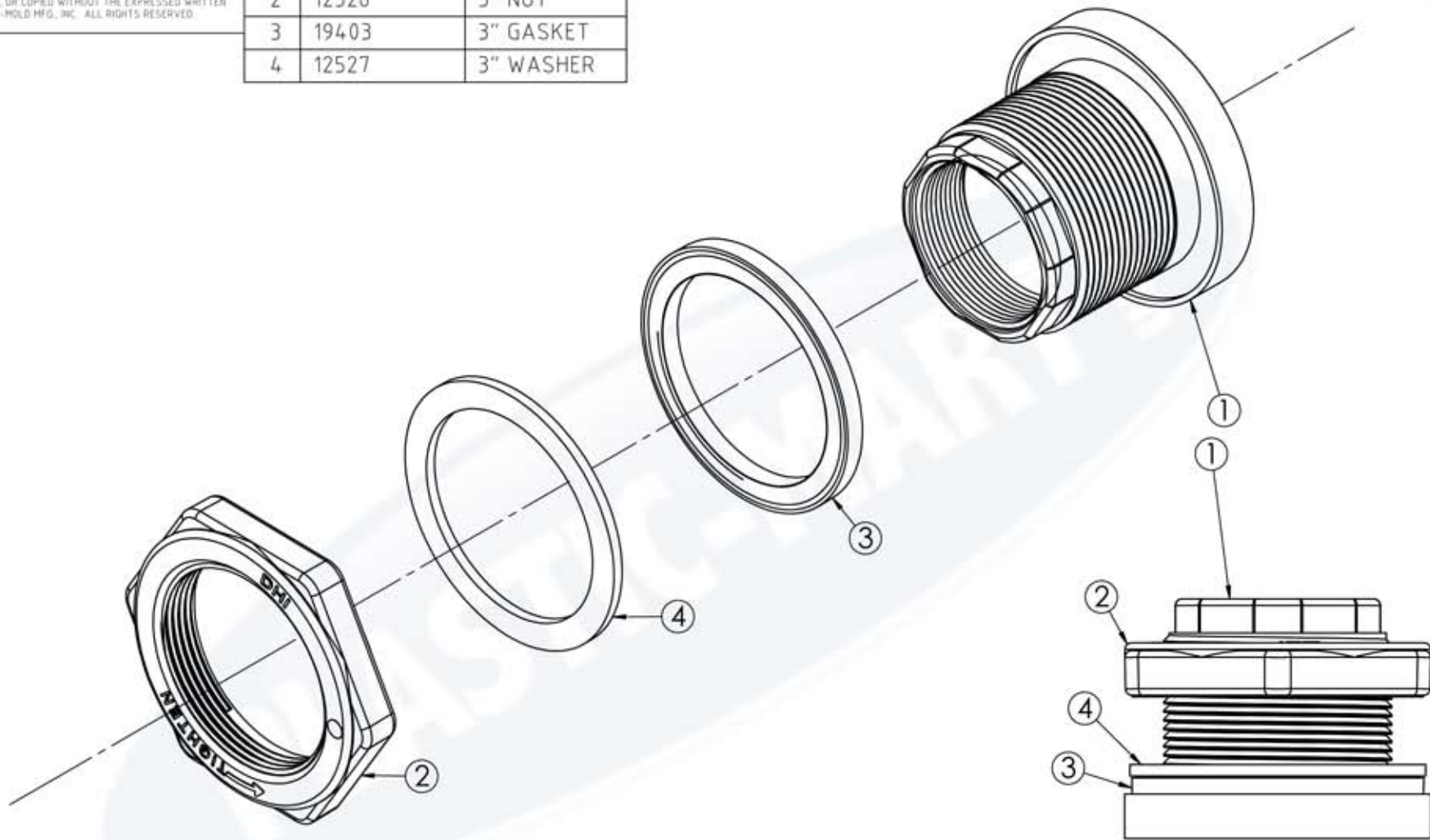


PROPRIETARY DATA

12528

PROPERTY OF DEN HARTOG MFG., INC. INFORMATION FURNISHED HEREIN IS THE PROPERTY OF ACE ROTOMOLD MFG., INC. AND SHALL NOT BE USED, DISCLOSED TO OTHERS, OR COPIED WITHOUT THE EXPRESSED WRITTEN CONSENT OF ACE ROTOMOLD MFG., INC. ALL RIGHTS RESERVED.

KEY	PART NUMBER	DESCRIPTION
1	12525	3" FITTING
2	12526	3" NUT
3	19403	3" GASKET
4	12527	3" WASHER



DRAWN / DATE

ADH 2/15/08

MATERIAL

APPRD. / DATE

MVE 5/16/08

PLASTIC-MART 866-310-2556

REV	DESCRIPTION	BY / DATE	CCN

ALL DIMENSIONS ARE IN DECIMAL INCHES
TOLERANCES UNLESS OTHERWISE SPECIFIED
DECIMAL ± .125"

THIRD ANGLE PROJECTION
ANSI 14.5M



NOTES:

DESCRIPTION 3 inch Bulkhead

SCALE N.S.

PART NO. 12528