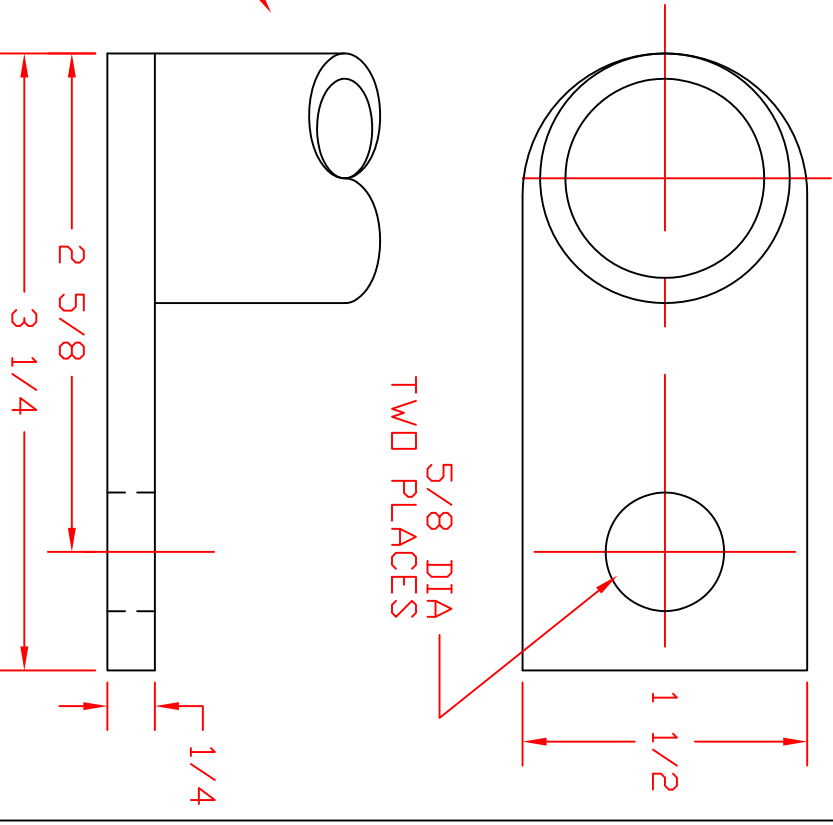
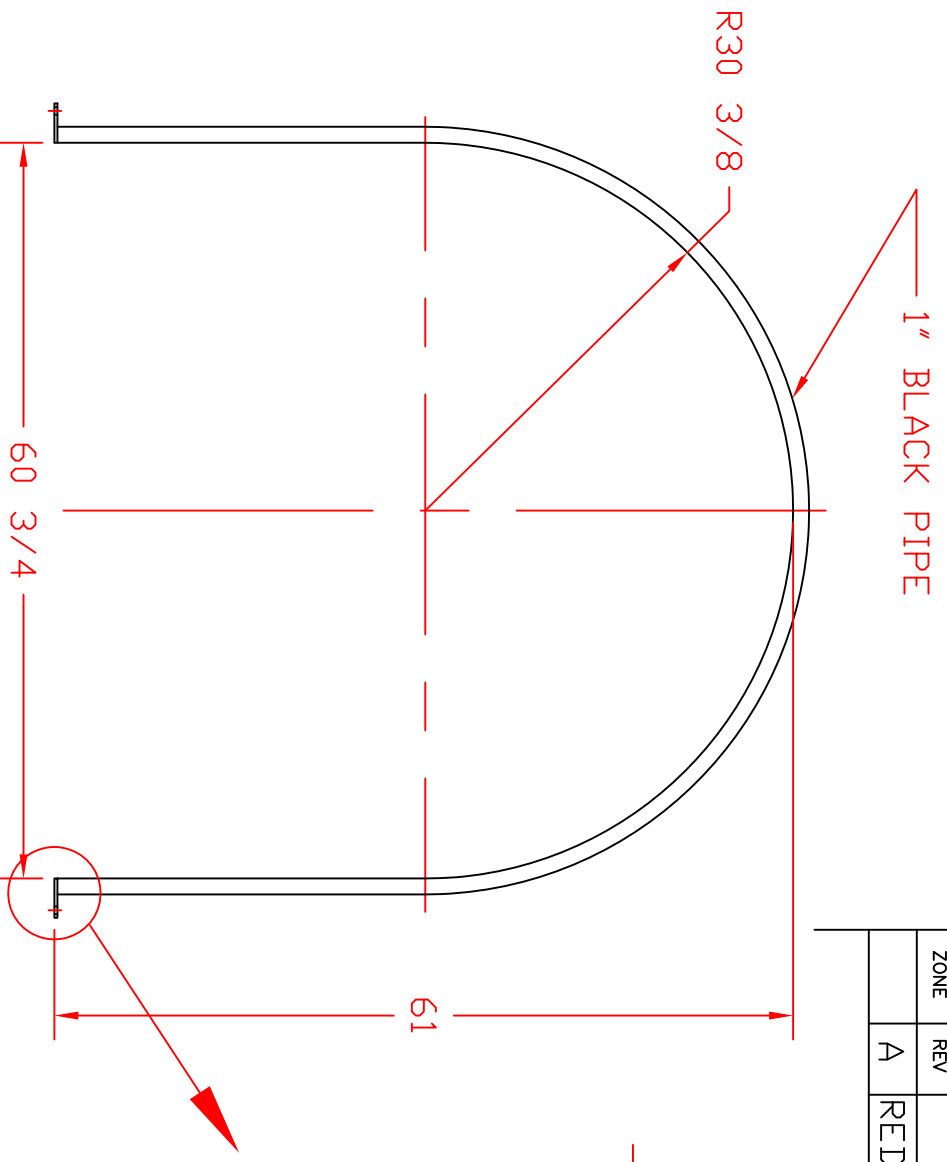


REVISIONS				
ZONE	REV	DESCRIPTION	DATE	APPROVED
	A	REDRAWN, WAS 1 1/4 PIPE	10SEP97	



FULL SCALE DETAIL

NOTE: WELD WITH LOW HYDROGEN ROD
FINISH: HOT DIPPED GALVANIZED

JTP 10SEP97			
ST. BONIFACIUS, MN		NORWESCO	
BAND, 1625 GALLON		HORIZONTAL TANK	
SIZE	FSCM NO.	DWG NO.	REV
A		60079	
SCALE 1/16			SHEET