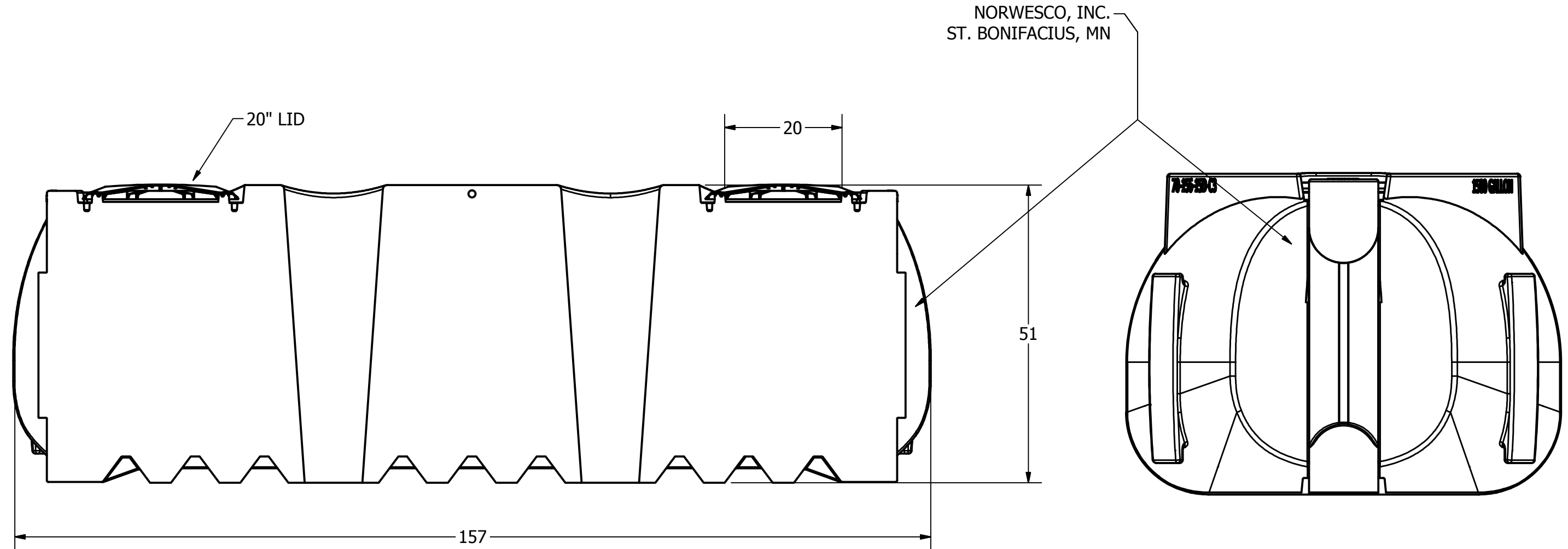



MATERIAL: HIGH-DENSITY POLYETHYLENE  
 NSF 61 LISTED  
 1750 US GALLONS WORKING CAPACITY

ZONE		REV	DESCRIPTION	DATE	APPROVED



DRAWN Todd Bolzer	7/6/2015	 <b>NORWESCO</b> NORWESCO, INC., ST. BONIFACIUS, MN TITLE		
CHECKED				
QA		<b>1750 LOW PROFILE CISTERN</b>		
MFG				
APPROVED		SIZE <b>B</b>	DWG NO <b>43550</b>	REV
		SCALE: 1/16	SHEET 1 OF 1	

ALL DIMENSIONS ARE IN INCHES, NOMINAL, AND SUBJECT TO CHANGE WITHOUT NOTICE.  
 ALL DIMENSIONS ON ROTATIONALLY MOLDED PARTS ARE SUBJECT TO A ±3% TOLERANCE