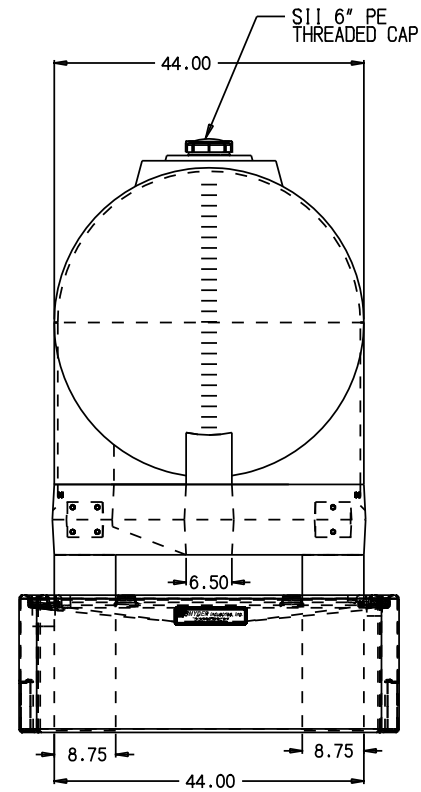
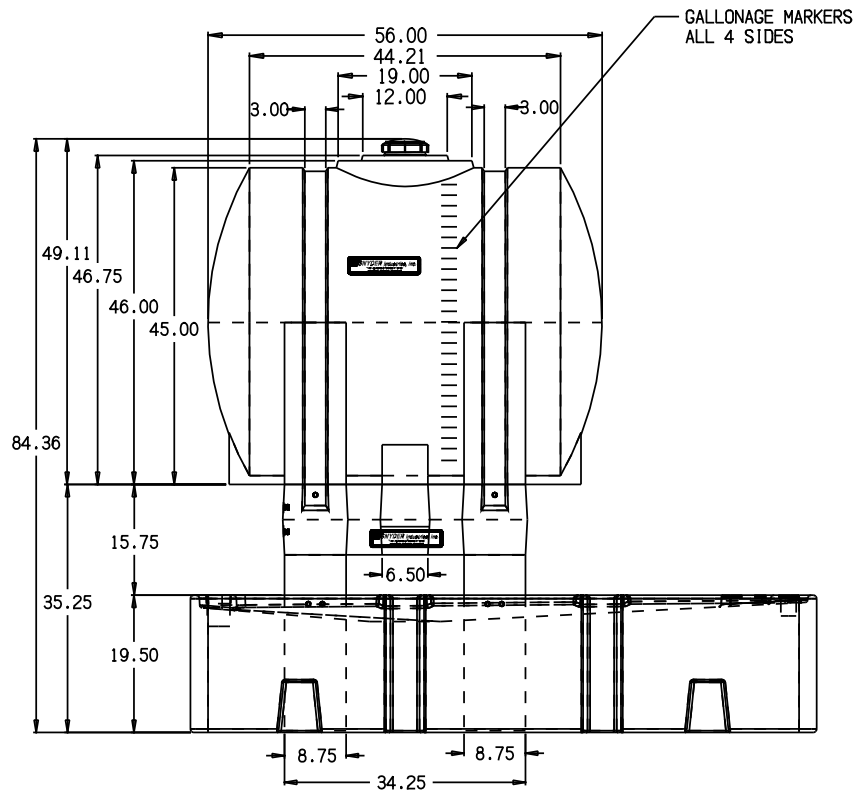
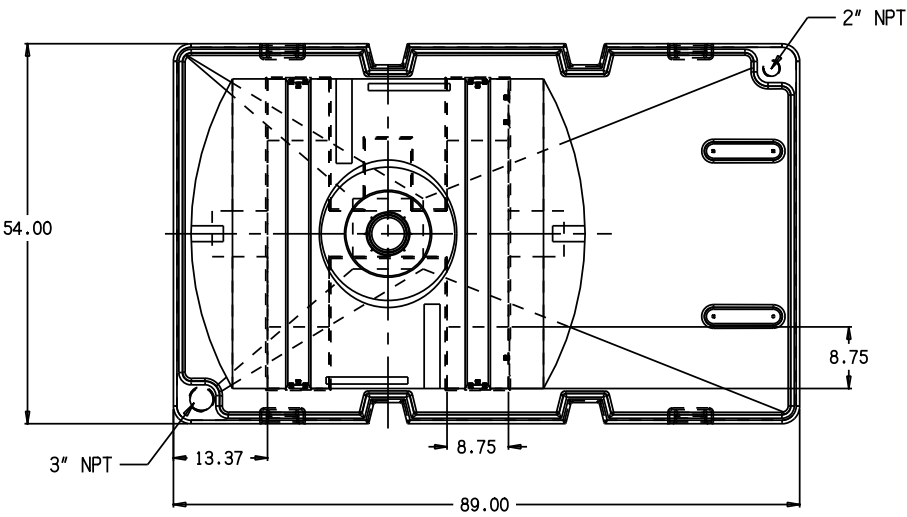


APPROX. BRIMFUL CAPACITY:
 TANK: 339.9 GAL.
 CONTAINMENT: 381.0 GAL.



* BASE FITTINGS TO BE LEFT INSTALLED AT TIME OF SHIPMENT PER SII PROCEDURE
 * Consult Snyder's Guidelines for Use and Installation prior to delivery.
 Available on-line at www.snydernet.com

(all dimensions in inches)

PART #	TANK:	1004100N--
	STAND:	1004200N--
	CONTAINMENT:	1004700N--
REF#:	0000	09/01/10

335 GALLON HORIZONTAL LEG TANK, STAND, & CONTAINMENT

SNYDER INDUSTRIES INC.