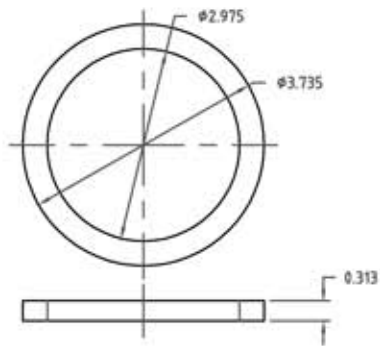
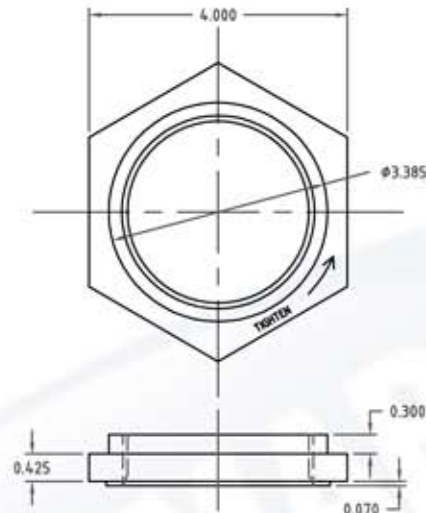


SANTOPRENE GASKET



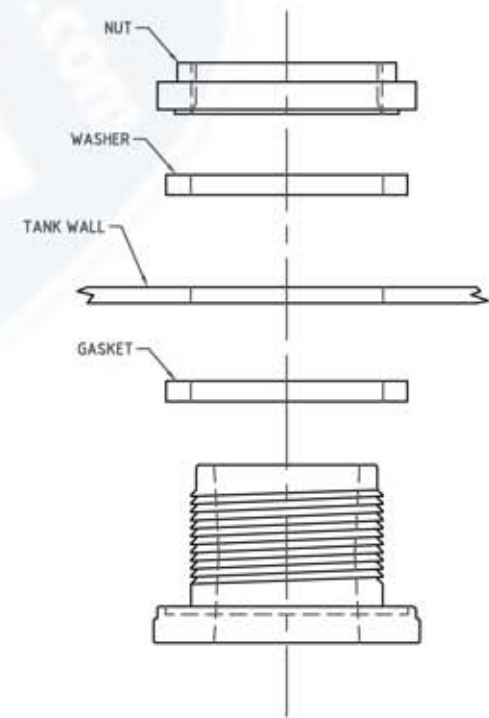
POLYPROPYLENE NUT



10507

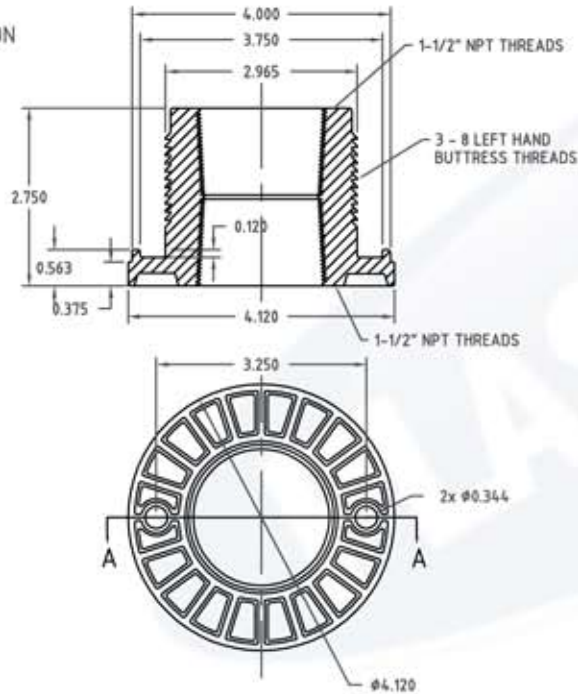
A

ASSEMBLY

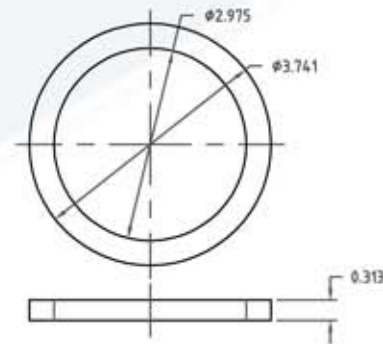


POLYPROPYLENE BODY

SECTION A-A



POLYPROPYLENE WASHER



DRAWN / DATE
DHJ/12/14/04

MATERIAL

PLASTIC-MART 866-310-2556

APPRD. / DATE
GWC 4/13/07

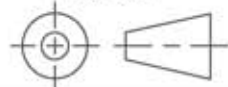
CLIENT / DESCRIPTION

STANDARD 1 1/2" BULKHEAD

ALL DIMENSIONS ARE IN DECIMAL INCHES
TOLERANCES UNLESS OTHERWISE SPECIFIED

THIRD ANGLE PROJECTION
ANSI 14.5M

NOTES:



SCALE

NONE

PART NO.

10507

.XXX +/- .016"
.XX +/- .032"
.X +/- .062"