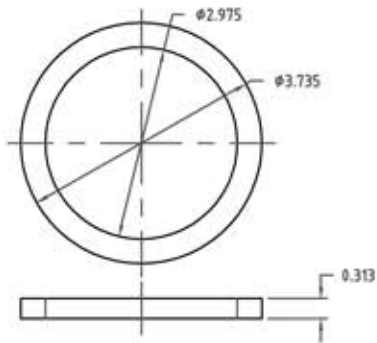
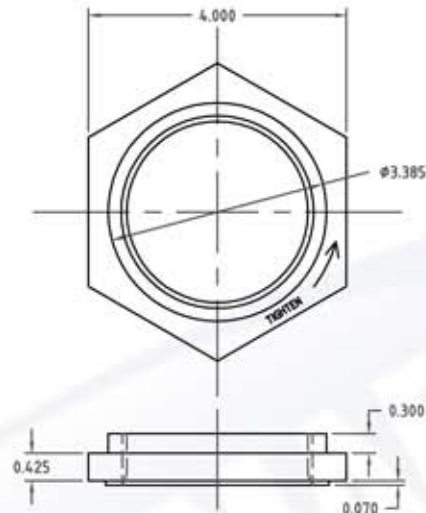


SANTOPRENE GASKET



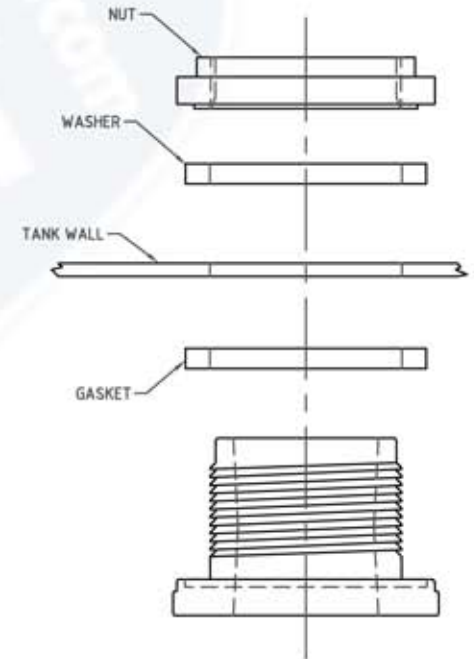
POLYPROPYLENE NUT



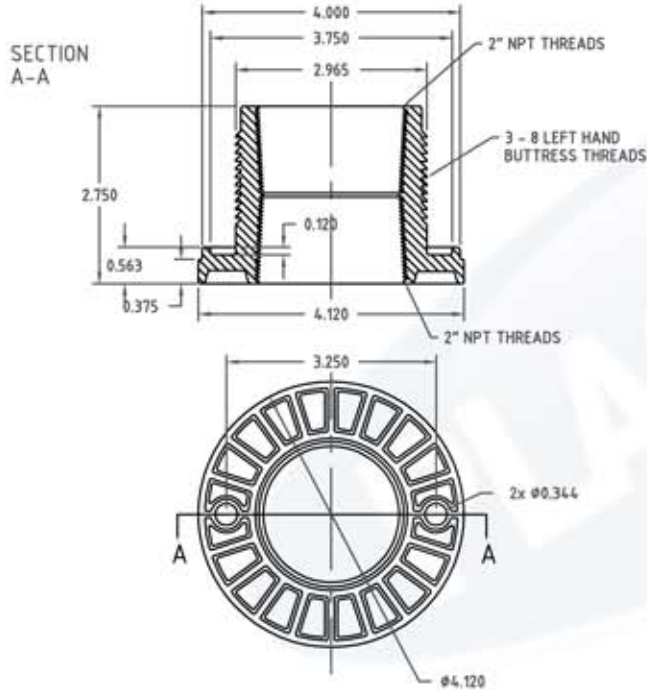
10508

A

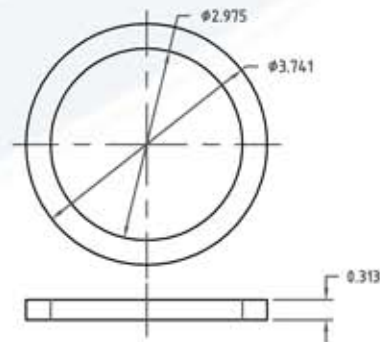
ASSEMBLY



POLYPROPYLENE BODY



POLYPROPYLENE WASHER



DRAWN /DATE  
DHJ/12/14/04

MATERIAL / SHOT WEIGHT

**PLASTIC-MART** 866-310-2556

APPRD. /DATE  
REH 4/18/07

CLIENT / DESCRIPTION

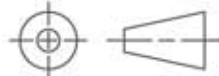
STANDARD 2" BULKHEAD

REV DESCRIPTION DATE APPRD.

ALL DIMENSIONS ARE IN DECIMAL INCHES  
TOLERANCES UNLESS OTHERWISE SPECIFIED

THIRD ANGLE PROJECTION  
ANSI 14.5M

NOTES:



SCALE  
NONE

PART NO.

10508

.XXX +/- .016"  
.XX +/- .032"  
.X +/- .062"