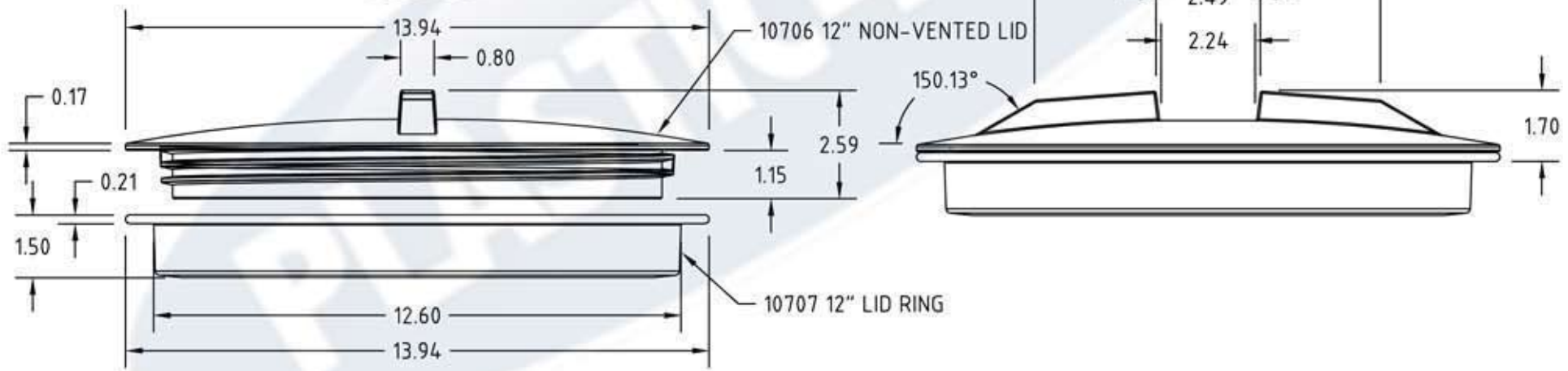
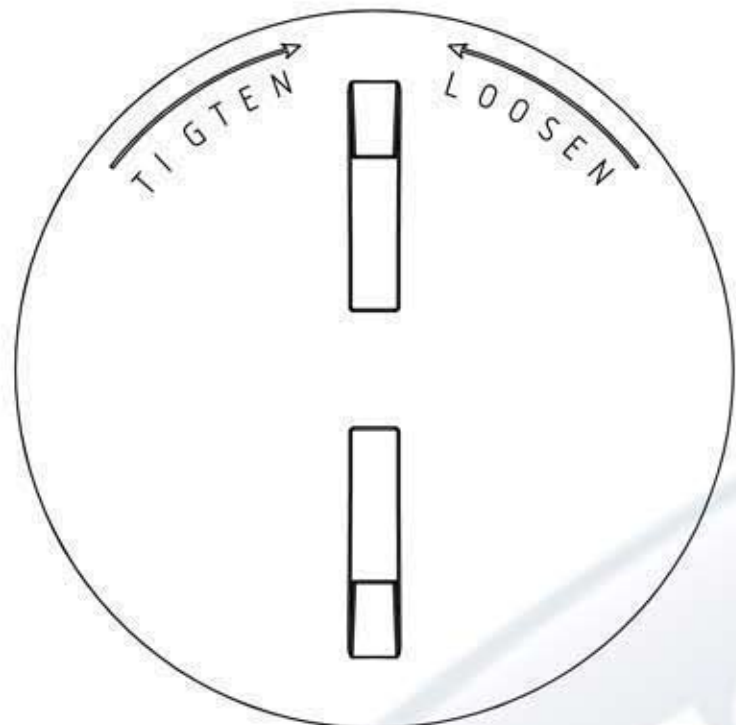
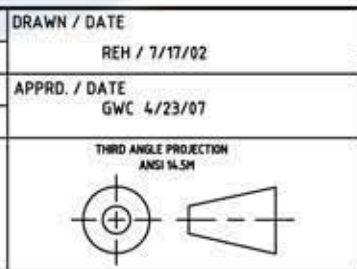


© DEN HARTOG INDUSTRIES, INC.

Copyright. All information furnished within this document, electronic file or design correspondence is the property of Den Hartog Industries, Inc. and shall not be used, disclosed to others or copied without the expressed written consent of Den Hartog Industries, Inc.



A	UPDATE LOGO AND TOL.	CCN 1296	4/20/07	GWC	
REV	DESCRIPTION	DATE	APPRD		
ALL DIMENSIONS ARE IN DECIMAL INCHES TOLERANCES UNLESS OTHERWISE SPECIFIED .XXX +/- .016 .XX +/- .032 X +/- .064					



MATERIAL

NOTES:

**PLASTIC-MART** 866-310-2556

CLIENT / DESCRIPTION  
12" NON-VENTED LID ASSEMBLY

SCALE N.S. PART NO. 10526