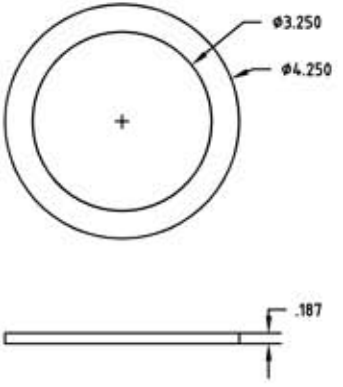


PROPRIETARY DATA

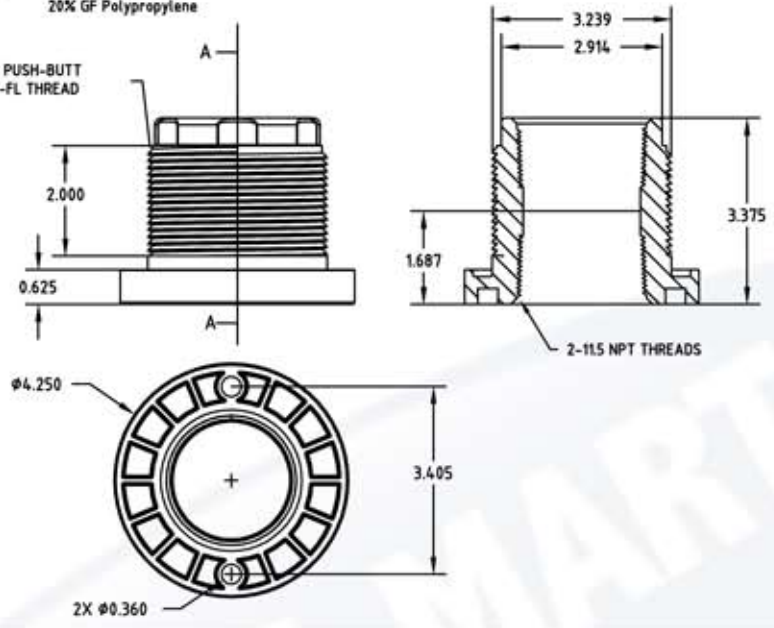
PROPERTY OF ACE ROTO-MOLD MFG., INC. INFORMATION FURNISHED HEREIN IS THE PROPERTY OF ACE ROTO-MOLD MFG., INC. AND SHALL NOT BE USED, DISCLOSED TO OTHERS, OR COPIED WITHOUT THE EXPRESSED WRITTEN CONSENT OF ACE ROTO-MOLD MFG., INC. ALL RIGHTS RESERVED.

POLYPROPYLENE WASHER  
20% GF Polypropylene

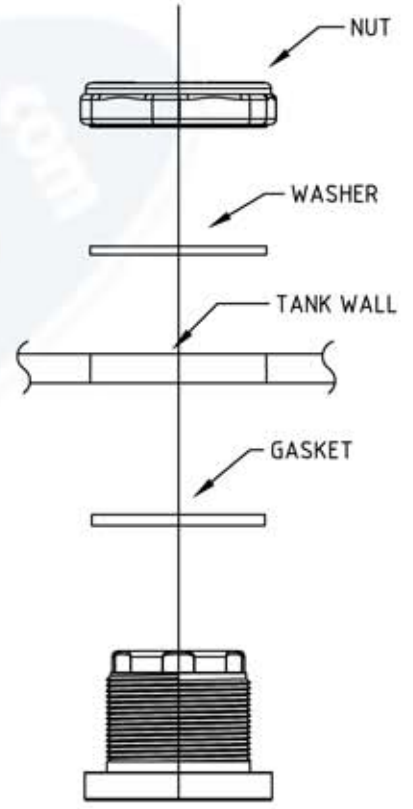


POLYPROPYLENE BODY  
20% GF Polypropylene

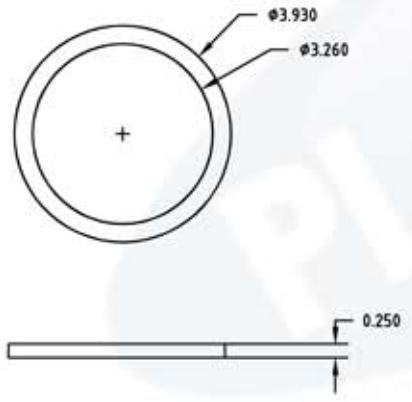
3/24-8 PUSH-BUTT  
2A-LH-FL THREAD



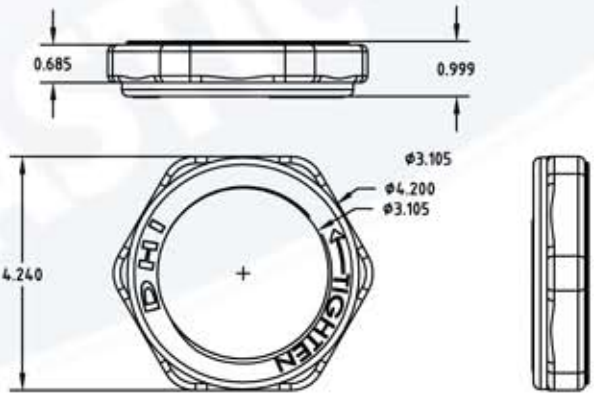
ASSEMBLY



SANTOPRENE GASKET



POLYPROPYLENE NUT  
20% GF Polypropylene



A	UPDATE LOGO AND TOL. CCN 1296	4/18/07	GWC	APPRD. / DATE	DHJ 12/9/05
REV	DESCRIPTION	DATE	APPRD		

DRAWN / DATE  
NVE 6/21/05

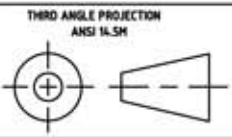
MATERIAL

**PLASTIC-MART** 866-310-2556

CLIENT / DESCRIPTION  
2 INCH HEAVY DUTY BULKHEAD FITTING

SCALE N.S. PART NO. 10912

ALL DIMENSIONS ARE IN DECIMAL INCHES  
TOLERANCES UNLESS OTHERWISE SPECIFIED  
.XXX +/- .032  
.XX +/- .062



NOTES: