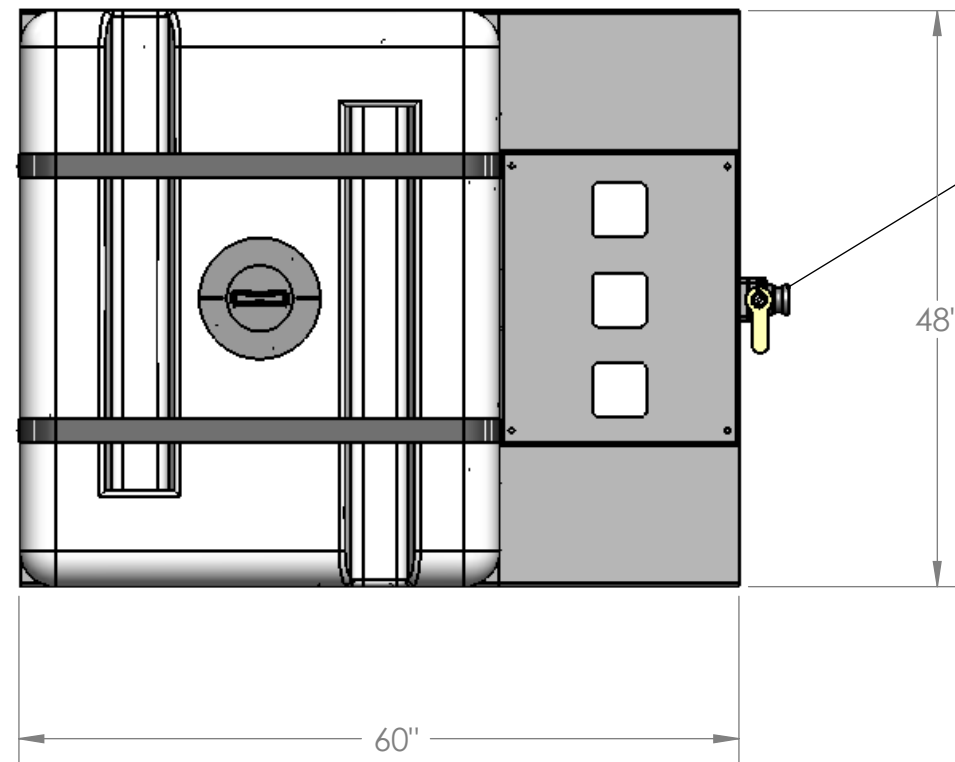


8 7 6 5 4 3 2 1

D
C
B
A

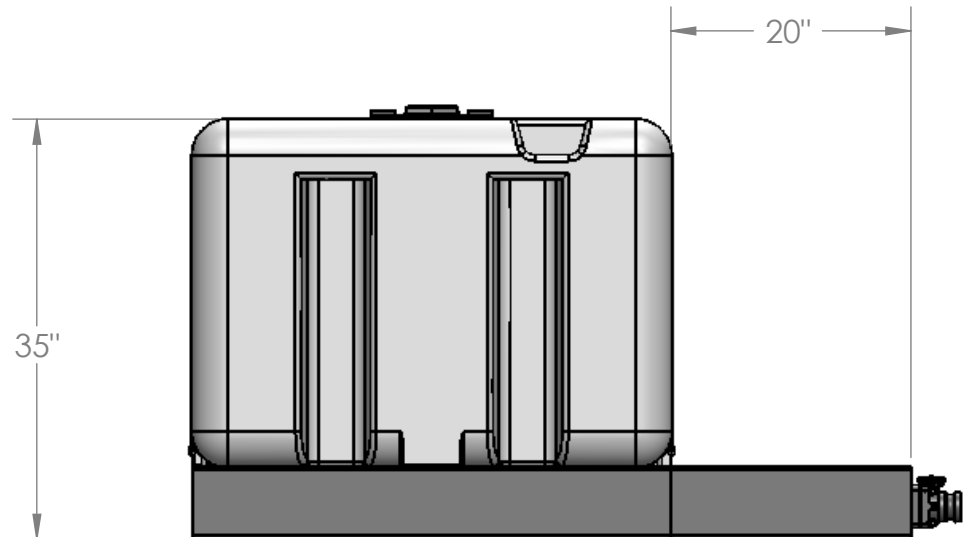
D
C
B
A



2" BALL VALVE WITH MALE QUICK DISCONNECT.

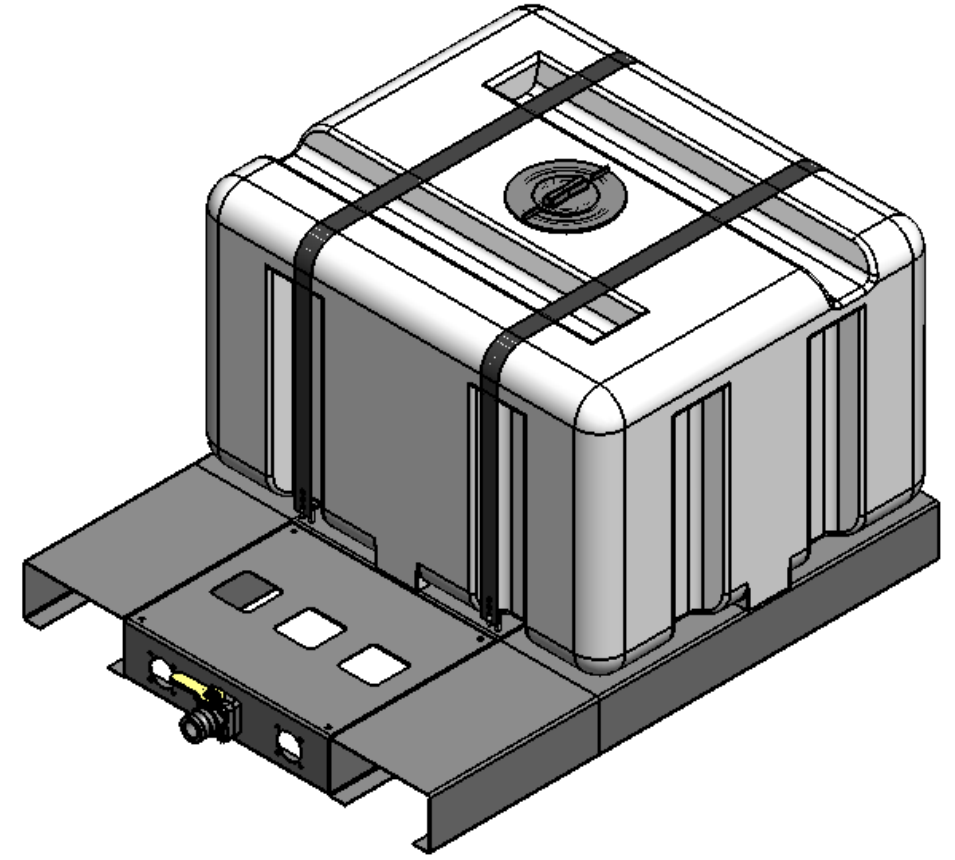
48"

60"



35"

20"



SHIPPING WT. 295

PROPRIETARY AND CONFIDENTIAL
THE INFORMATION CONTAINED IN THIS DRAWING IS THE SOLE PROPERTY OF <INSERT COMPANY NAME HERE>. ANY REPRODUCTION IN PART OR AS A WHOLE WITHOUT THE WRITTEN PERMISSION OF <INSERT COMPANY NAME HERE> IS PROHIBITED.

		UNLESS OTHERWISE SPECIFIED:		NAME	DATE	CUSTOM ROTO-MOLDING, INC.	
		DIMENSIONS ARE IN INCHES		DRAWN	EBW	4-21-11	TITLE: 200 RT WITH EXTENDED SKID ASSY.
		TOLERANCES:		CHECKED			
		FRACTIONAL ±		ENG APPR.			
		ANGULAR: MACH ± BEND ±		MFG APPR.			
		TWO PLACE DECIMAL ±		Q.A.			SIZE DWG. NO. REV
		THREE PLACE DECIMAL ±		COMMENTS:			B 200 RTESA
NEXT ASSY	USED ON	INTERPRET GEOMETRIC TOLERANCING PER:					SCALE: 1:24 WEIGHT: SHEET 1 OF 1
		MATERIAL					
		FINISH					
APPLICATION		DO NOT SCALE DRAWING					

8 7 6 5 4 3 2 1