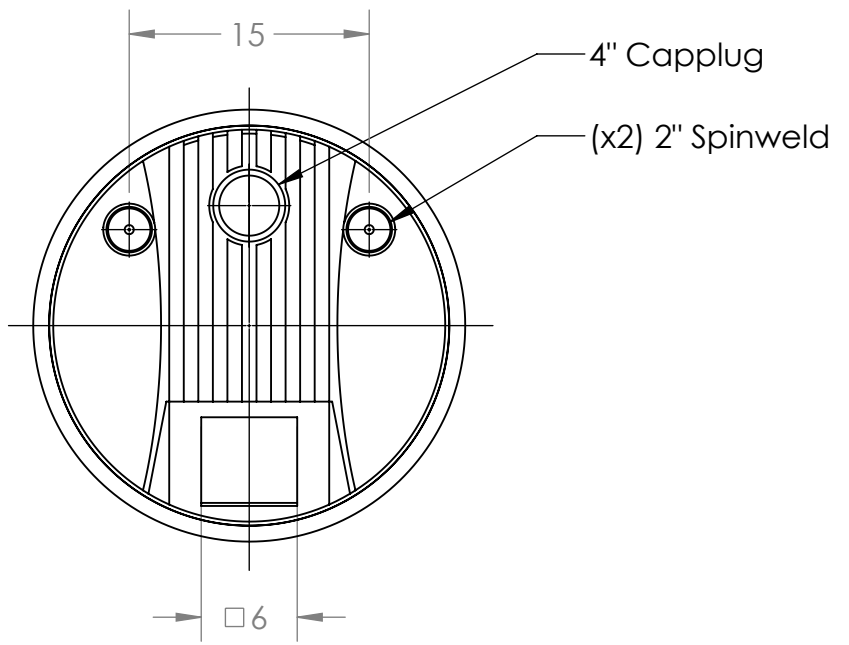
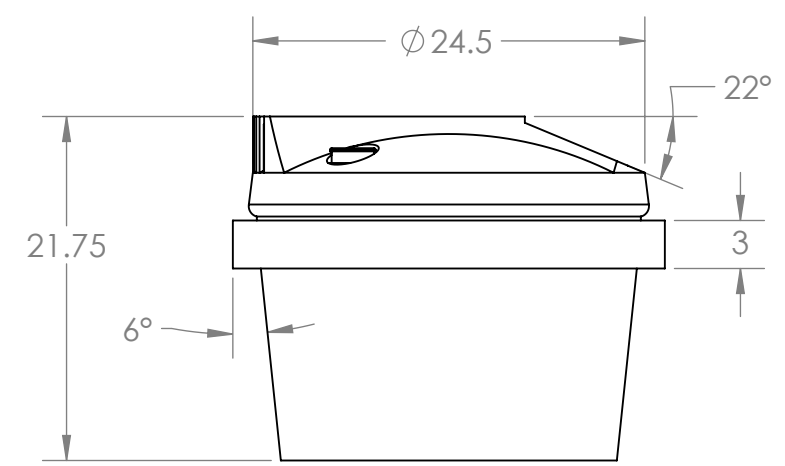
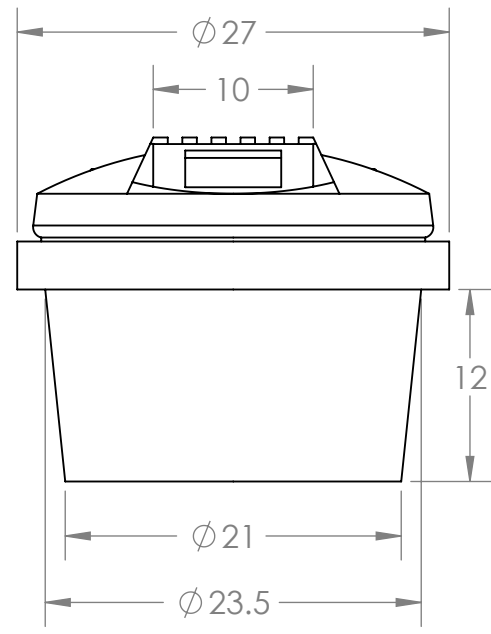


8 7 6 5 4 3 2 1

D
C
B
A

D
C
B
A



PROPRIETARY AND CONFIDENTIAL
 THE INFORMATION CONTAINED IN THIS DRAWING IS THE SOLE PROPERTY OF PEABODY ENGINEERING. ANY REPRODUCTION IN PART OR AS A WHOLE WITHOUT THE WRITTEN PERMISSION OF PEABODY ENGINEERING IS PROHIBITED.

UNLESS OTHERWISE SPECIFIED:		NAME	DATE
DIMENSIONS ARE IN INCHES		DRAWN	K.P. 10-24-11
TOLERANCES: 1/16"		CHECKED	
FRACTIONAL ±		ENG APPR.	
ANGULAR: MACH ± BEND ±		MFG APPR.	
TWO PLACE DECIMAL ±		Q.A.	
THREE PLACE DECIMAL ±			
INTERPRET GEOMETRIC TOLERANCING PER:		DO NOT SCALE DRAWING	
MATERIAL			
FINISH			
APPLICATION	© 2007 Peabody Engineering & Supply, Inc. All rights reserved.		

Peabody Engineering
 13435 Estelle St.
 Corona, CA 92878-1877
 951.734.7711
 etanks.com



TITLE:		
30 Gallon Aquarius Tank		
SIZE	DWG. NO.	REV
B		A
WEIGHT:		SHEET 1 OF 1

8 7 6 5 4 3 2 1