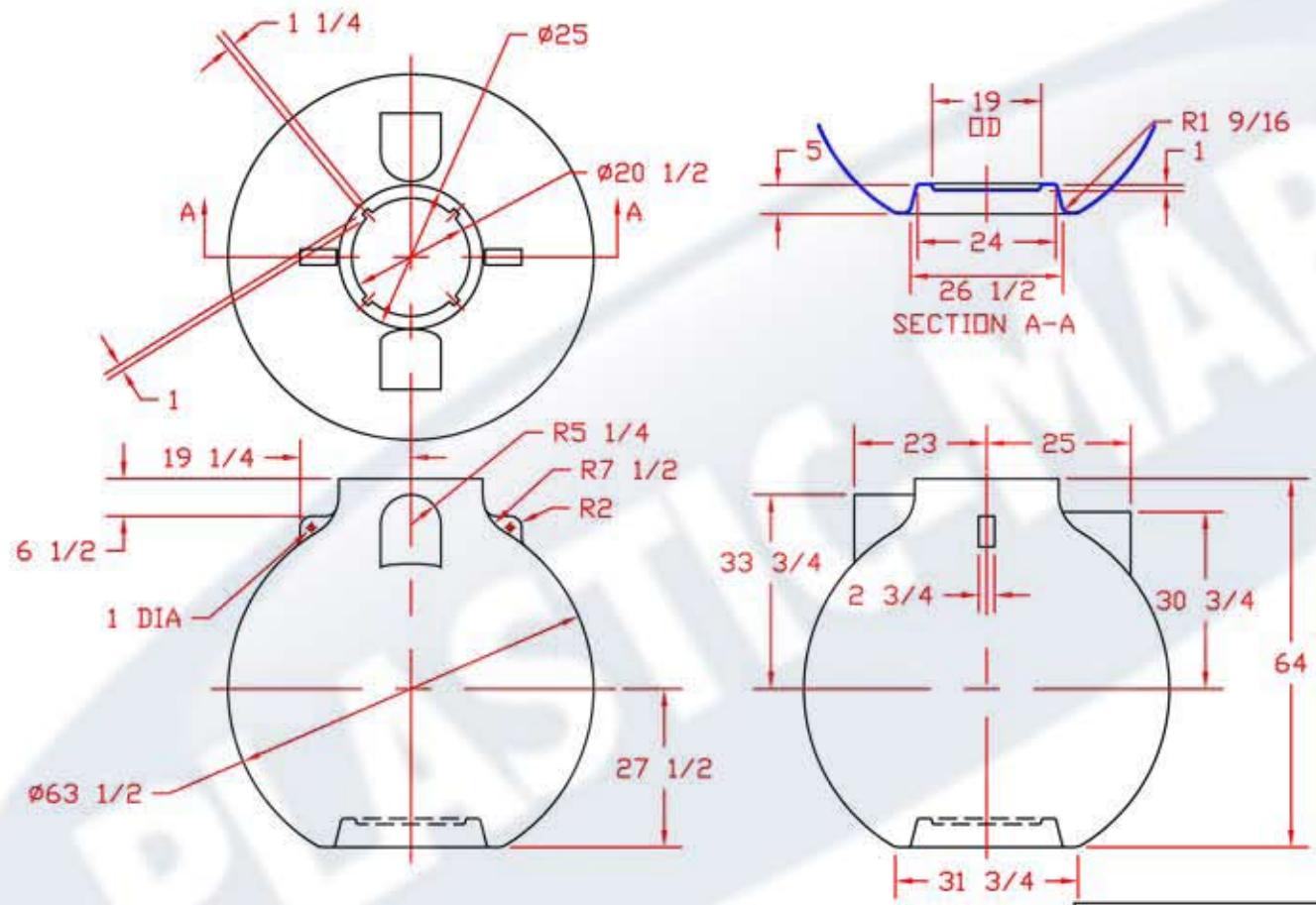


REVISIONS				
ZONE	REV	DESCRIPTION	DATE	APPROVED
	A	REMOVED INLET HUB	24MAY10	



COLOR: BLACK

PLASTIC-MART 866-310-2556

500 GALLON SPHERICAL
BELOW GROUND TANK

JTP 02DEC96	SIZE B	FSCM NO.	DWG NO.	REV A
SCALE 1/24			SHEET	