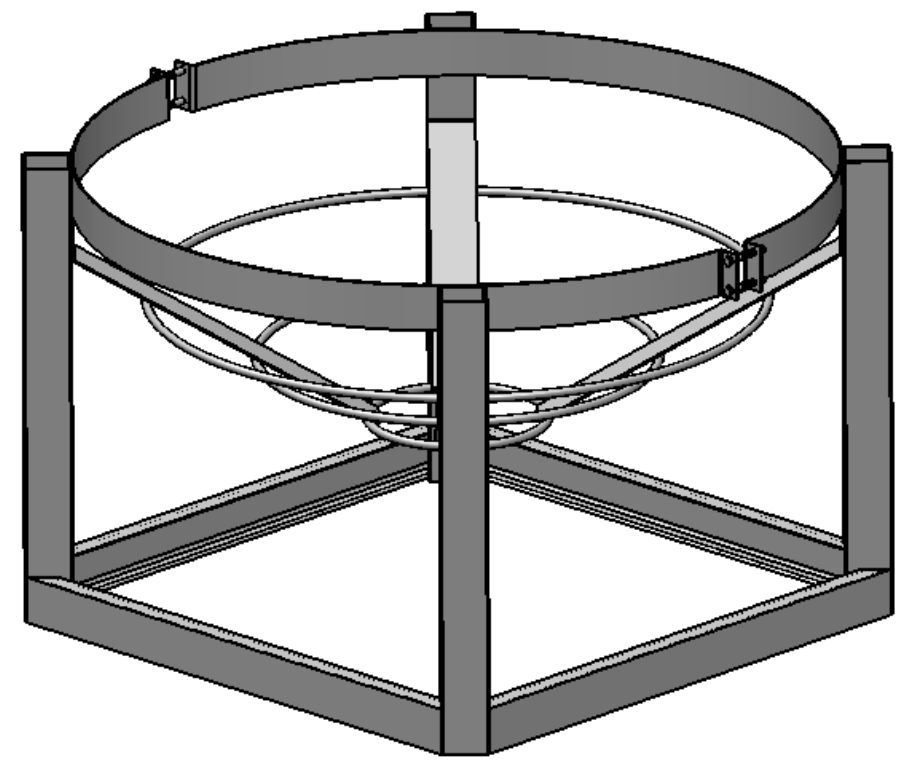
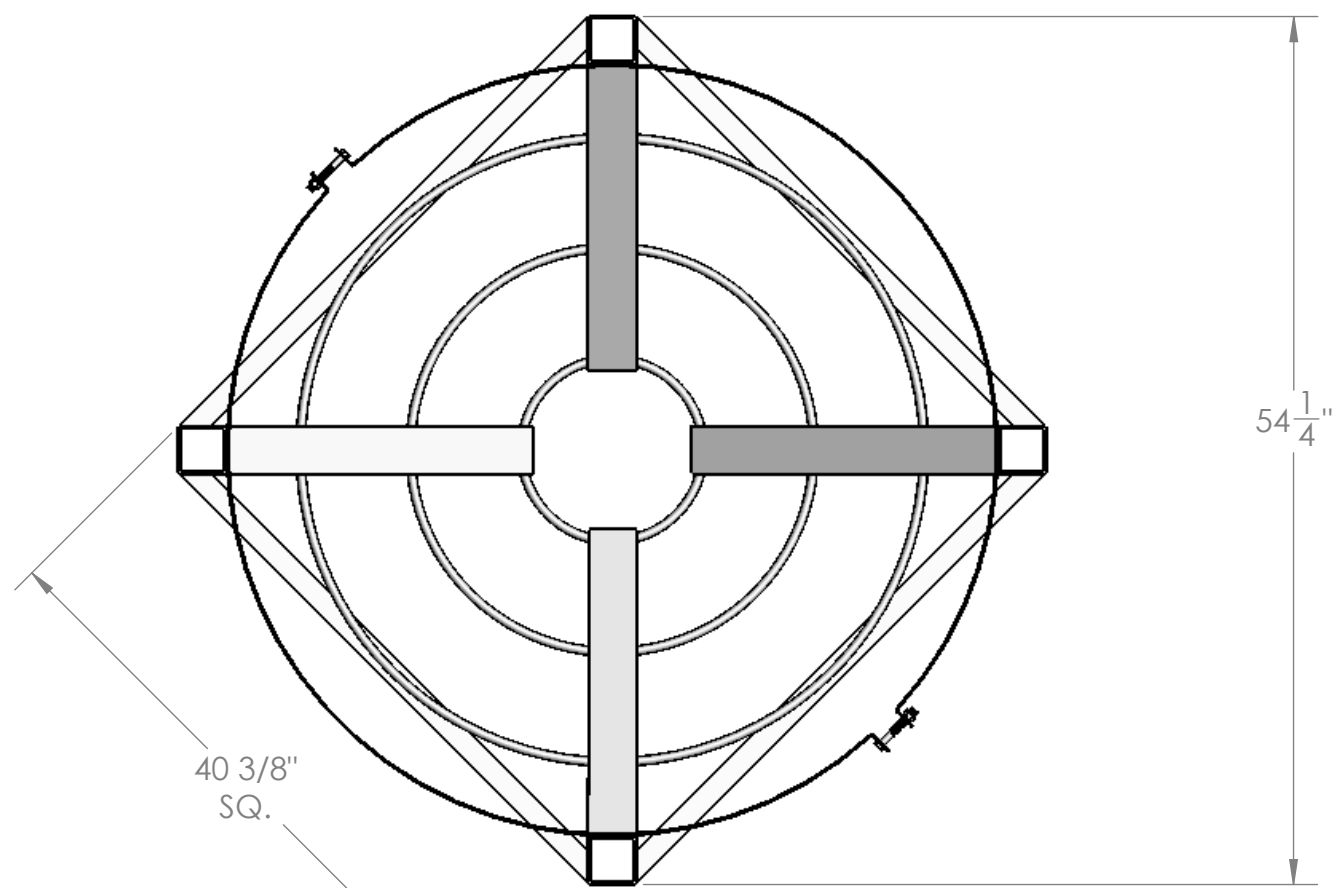


8 7 6 5 4 3 2 1

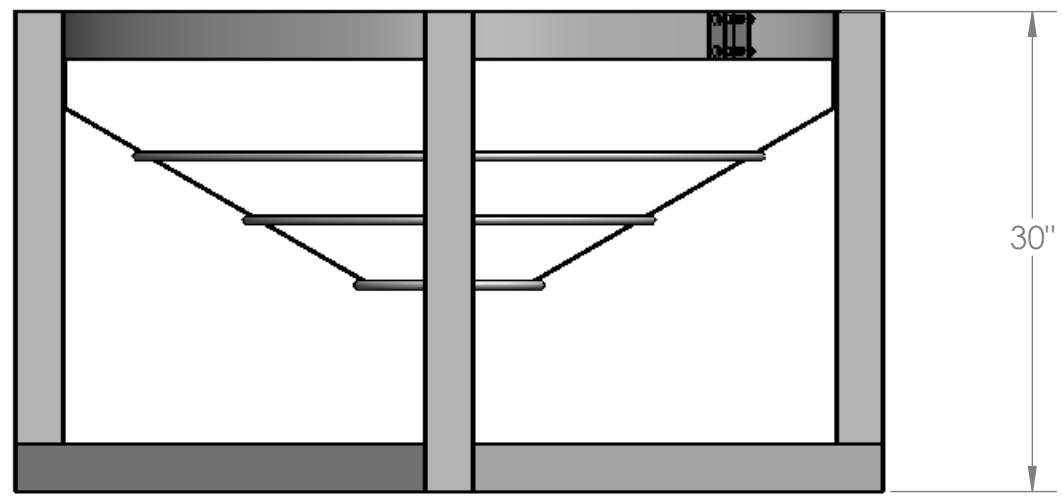
D  
C  
B  
A

D  
C  
B  
A



NOTES:

- 1. MATERIAL: HRS
- 2. COLOR: BLACK
- 3. WEIGHT: 145 LBS.



**PROPRIETARY AND CONFIDENTIAL**  
 THE INFORMATION CONTAINED IN THIS DRAWING IS THE SOLE PROPERTY OF <INSERT COMPANY NAME HERE>. ANY REPRODUCTION IN PART OR AS A WHOLE WITHOUT THE WRITTEN PERMISSION OF <INSERT COMPANY NAME HERE> IS PROHIBITED.

		UNLESS OTHERWISE SPECIFIED:		NAME	DATE	CUSTOM ROTO-MOLDING, INC.
		DIMENSIONS ARE IN INCHES TOLERANCES: FRACTIONAL ± ANGULAR: MACH ± BEND ± TWO PLACE DECIMAL ± THREE PLACE DECIMAL ±		DRAWN	7-9-12	
		INTERPRET GEOMETRIC TOLERANCING PER:		CHECKED		TITLE:
		MATERIAL		ENG APPR.		<b>48" CONE BOTTOM STAND</b>
		FINISH		MFG APPR.		SIZE DWG. NO. REV
NEXT ASSY	USED ON	DO NOT SCALE DRAWING		Q.A.		<b>B 48 CBS</b>
APPLICATION				COMMENTS:		SCALE: 1:24 WEIGHT: SHEET 1 OF 1

8 7 6 5 4 3 2 1