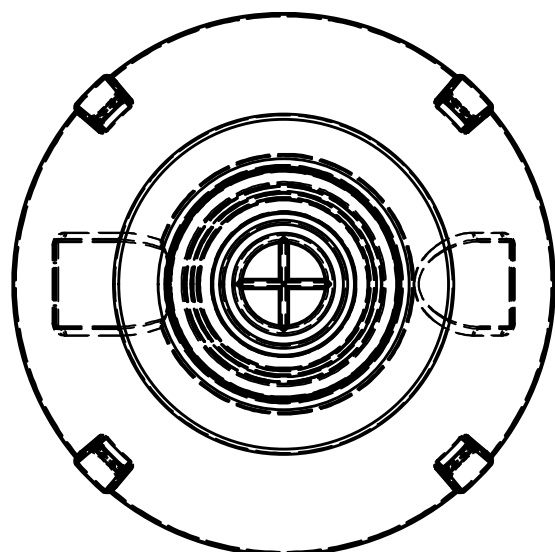
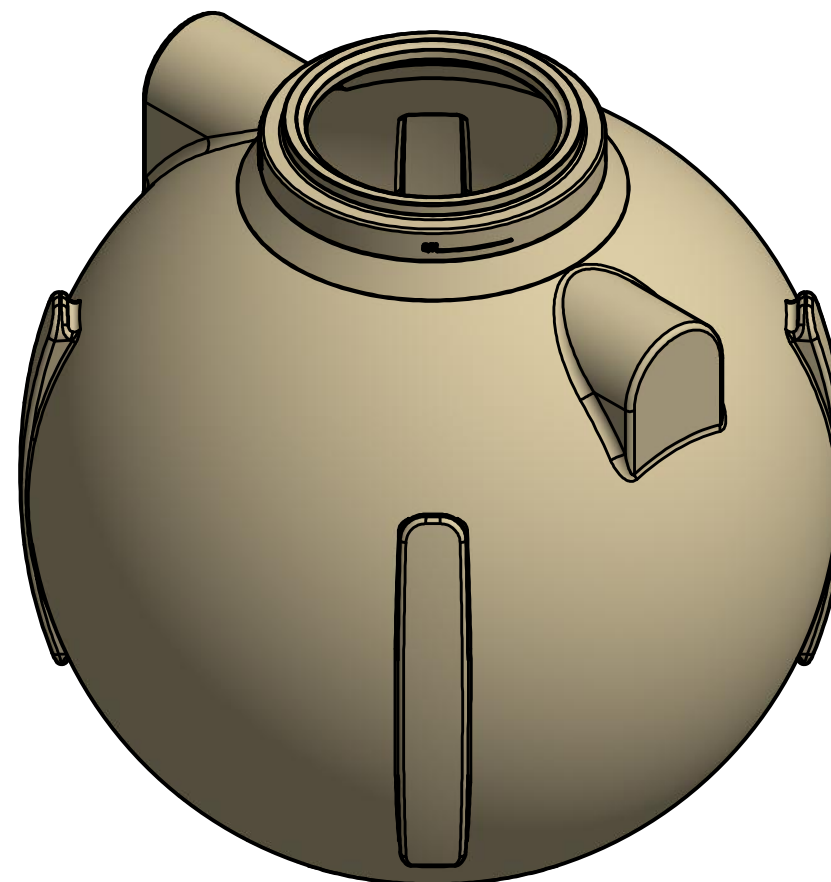
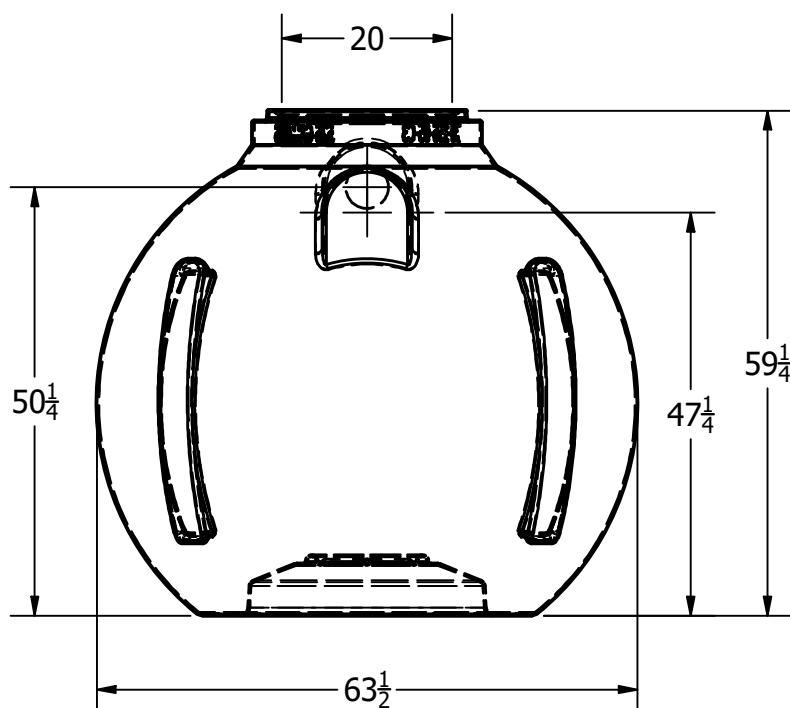
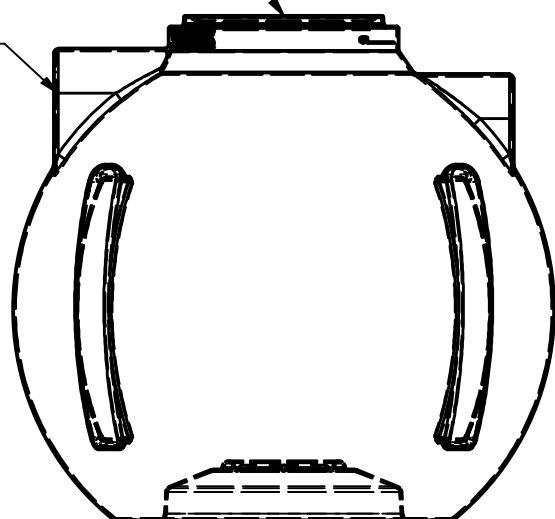



20" LID  
(HAZARDOUS GAS WARNING)

ASTM 923  
GASKET



DRAWN	HTB	10/18/2018		
CHECKED			NORWESCO, INC. SAINT BONIFACIUS, MN TITLE	
QA			<b>525 LP CISTERN SPHERE</b>	
MFG			SIZE	DWG NO
APPROVED			<b>B</b>	<b>44829</b>
			SCALE: 1/16	REV
				SHEET 1 OF 1