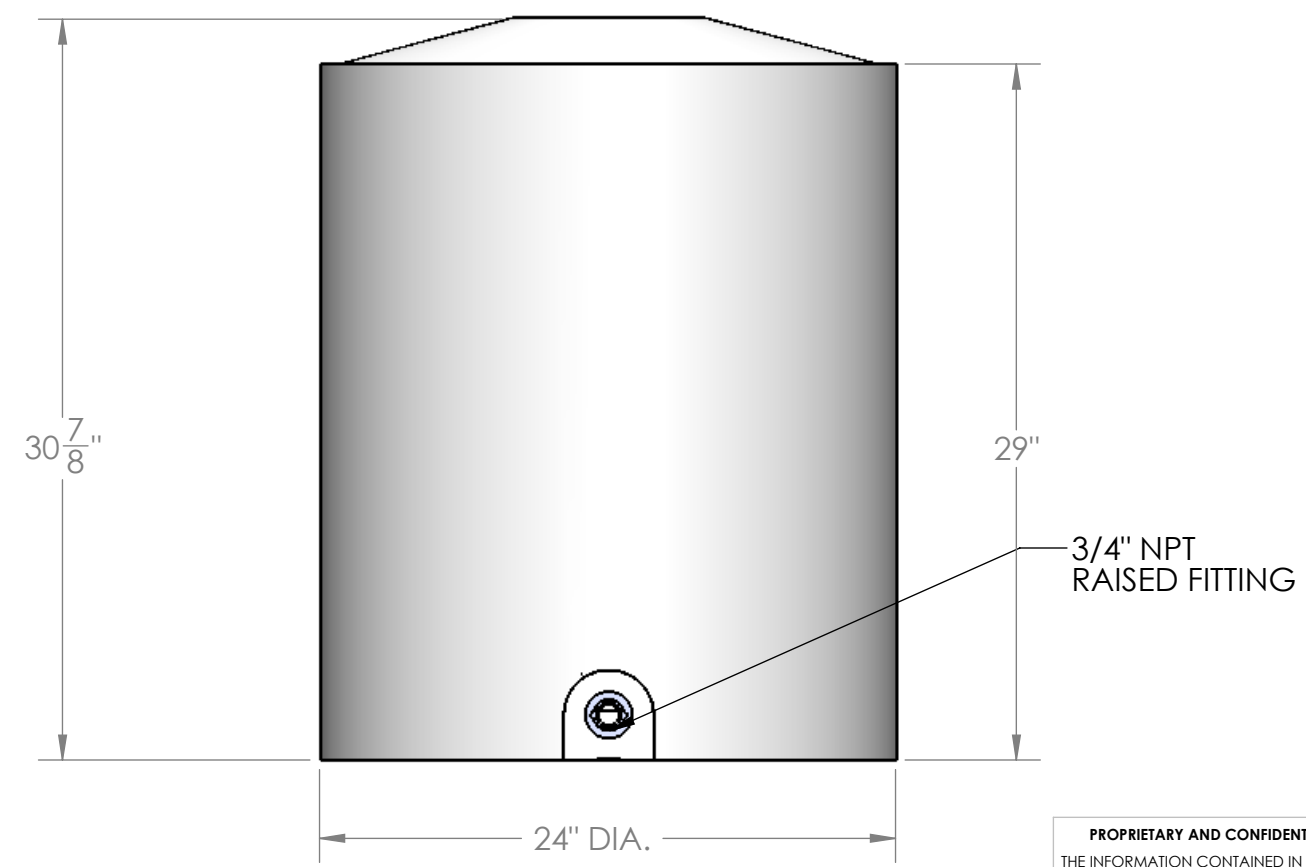
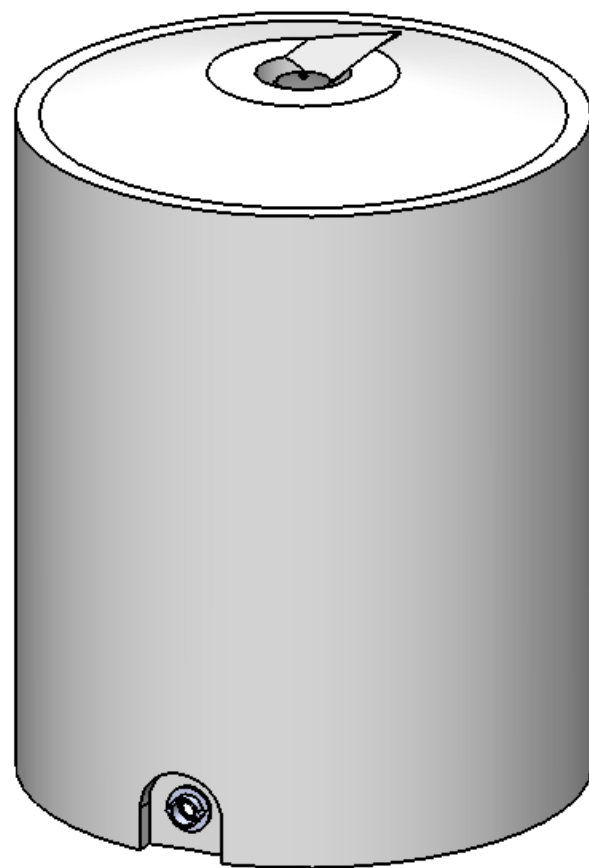
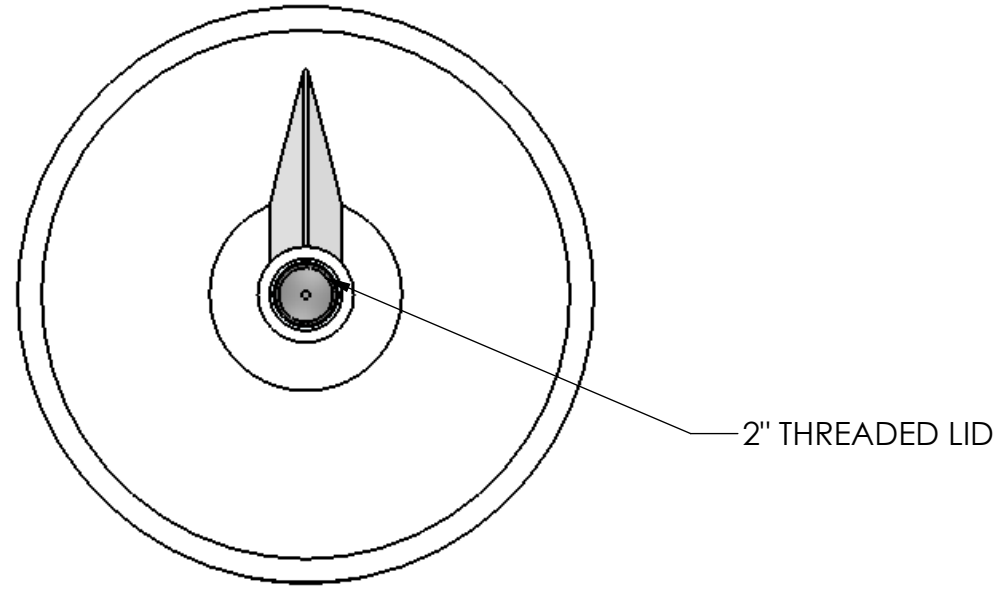


8 7 6 5 4 3 2 1

D
C
B
A

D
C
B
A



- NOTES:
1. MATERIAL: HDPE
 2. WEIGHT: 16 LBS.
 3. CAPACITY: 50 GALLONS.

PROPRIETARY AND CONFIDENTIAL
 THE INFORMATION CONTAINED IN THIS DRAWING IS THE SOLE PROPERTY OF <INSERT COMPANY NAME HERE>. ANY REPRODUCTION IN PART OR AS A WHOLE WITHOUT THE WRITTEN PERMISSION OF <INSERT COMPANY NAME HERE> IS PROHIBITED.

		UNLESS OTHERWISE SPECIFIED:		NAME	DATE	CUSTOM ROTO-MOLDING, INC.	
		DIMENSIONS ARE IN INCHES		DRAWN	EBW	6-16-09	TITLE: 50 GALLON VERTICAL TANK
		TOLERANCES:		CHECKED			
		FRACTIONAL ±		ENG APPR.			
		ANGULAR: MACH ± BEND ±		MFG APPR.			
		TWO PLACE DECIMAL ±		Q.A.			SIZE DWG. NO. REV B 50 VT.
		THREE PLACE DECIMAL ±		COMMENTS:			
NEXT ASSY	USED ON	INTERPRET GEOMETRIC TOLERANCING PER:					SCALE: 1:10
APPLICATION		MATERIAL					WEIGHT:
		FINISH					SHEET 1 OF 1
		DO NOT SCALE DRAWING					

8 7 6 5 4 3 2 1