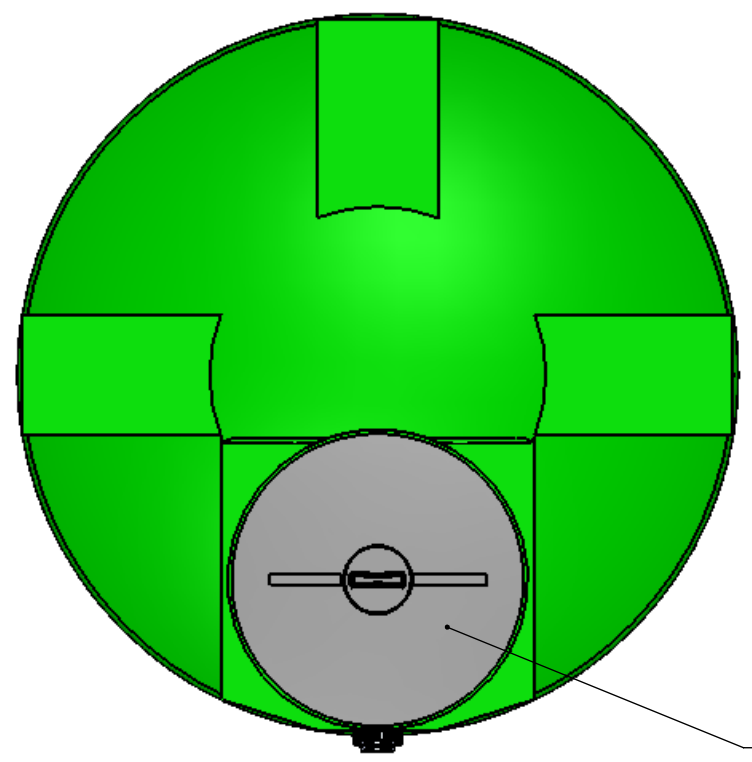


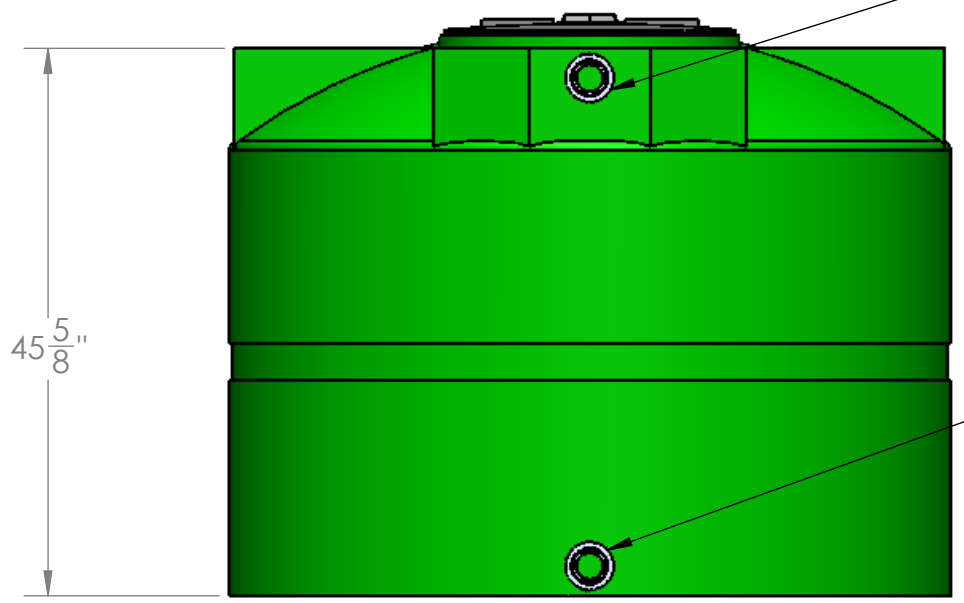
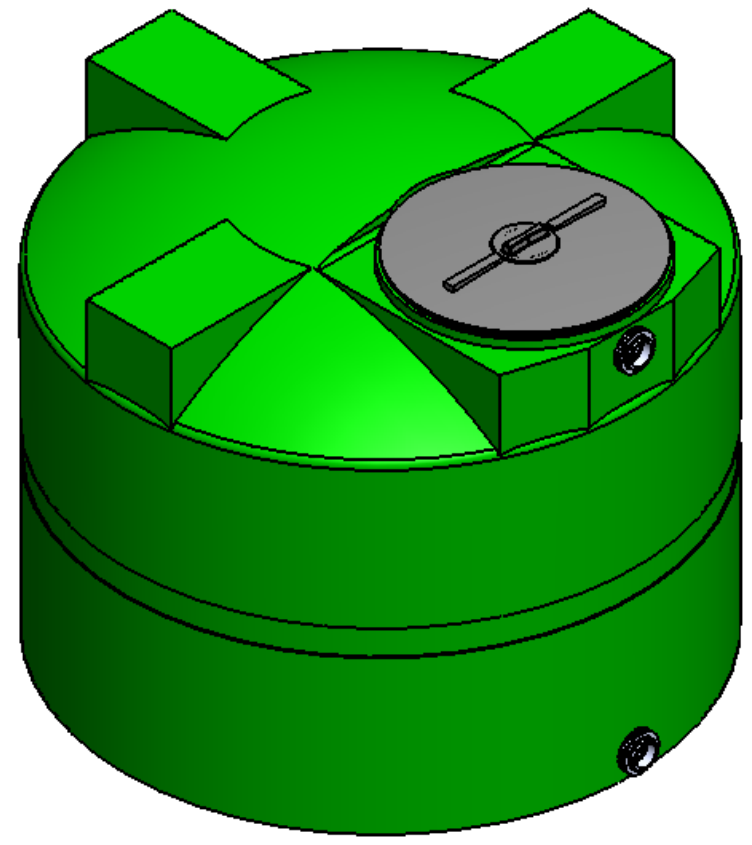
8 7 6 5 4 3 2 1

D
C
B
A

D
C
B
A



24" THREADED LID
W/BREATHER



2" NPT
POLYPRO FITTING

2" NPT
POLYPRO FITTING

45 ⁵/₈"

Ø 60"

NOTES:

1. MATERIAL: HDPE
2. COLOR: DARK GREEN
3. WEIGHT: 80 LBS.

PROPRIETARY AND CONFIDENTIAL
THE INFORMATION CONTAINED IN THIS DRAWING IS THE SOLE PROPERTY OF <INSERT COMPANY NAME HERE>. ANY REPRODUCTION IN PART OR AS A WHOLE WITHOUT THE WRITTEN PERMISSION OF <INSERT COMPANY NAME HERE> IS PROHIBITED.

		UNLESS OTHERWISE SPECIFIED:		NAME	DATE	CUSTOM ROTO-MOLDING, INC.
		DIMENSIONS ARE IN INCHES TOLERANCES: FRACTIONAL ± ANGULAR: MACH ± BEND ± TWO PLACE DECIMAL ± THREE PLACE DECIMAL ±		DRAWN EBW	11-18-11	
		INTERPRET GEOMETRIC TOLERANCING PER:		CHECKED		TITLE: 525 GALLON VERTICAL TANK, FRESH WATER GREEN
		MATERIAL		ENG APPR.		SIZE DWG. NO. REV B 525 VT FWG
NEXT ASSY	USED ON	FINISH		MFG APPR.		SCALE: 1:24 WEIGHT: SHEET 1 OF 1
APPLICATION		DO NOT SCALE DRAWING		Q.A.		
				COMMENTS:		

8 7 6 5 4 3 2 1