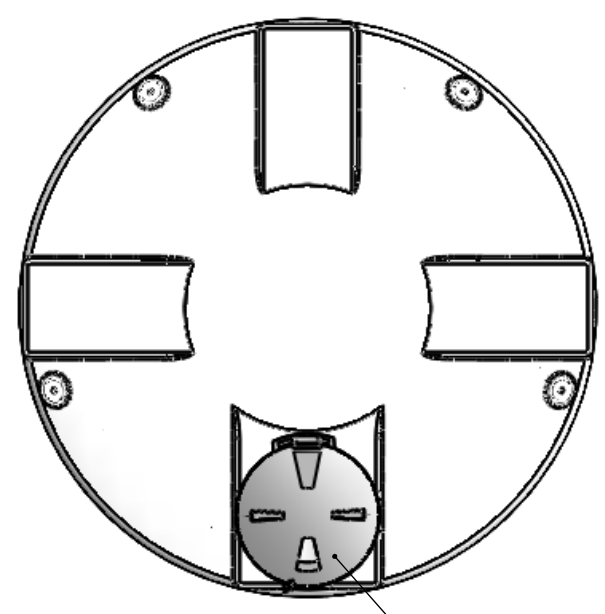


D
C
B
A

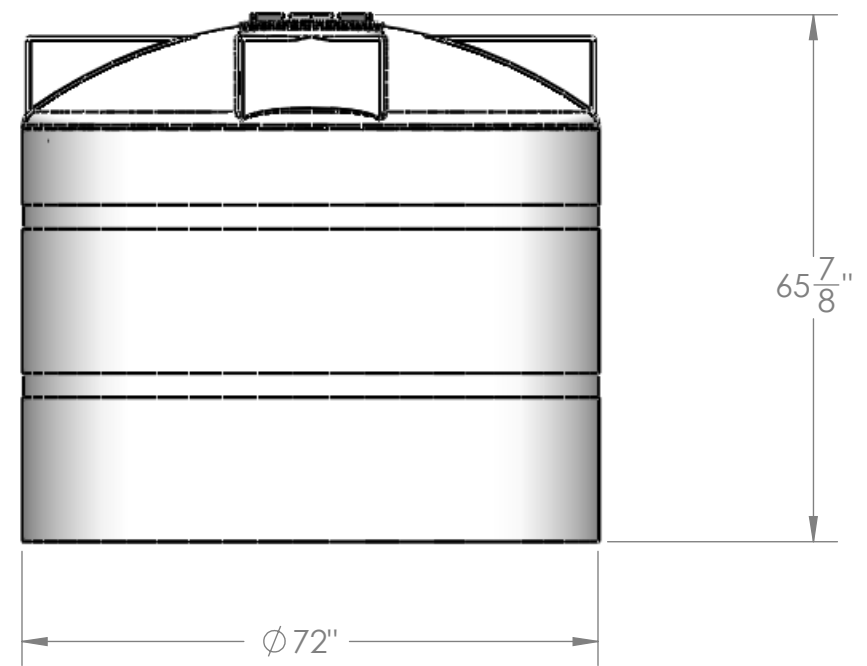
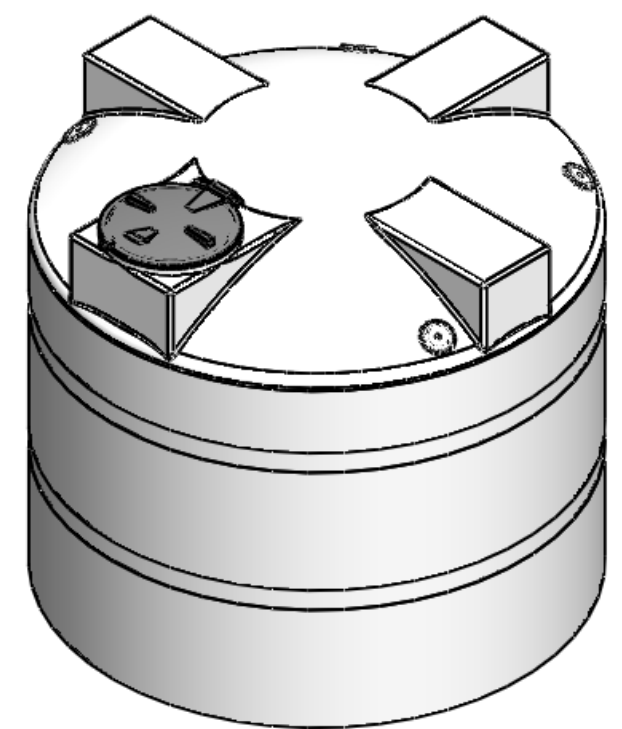
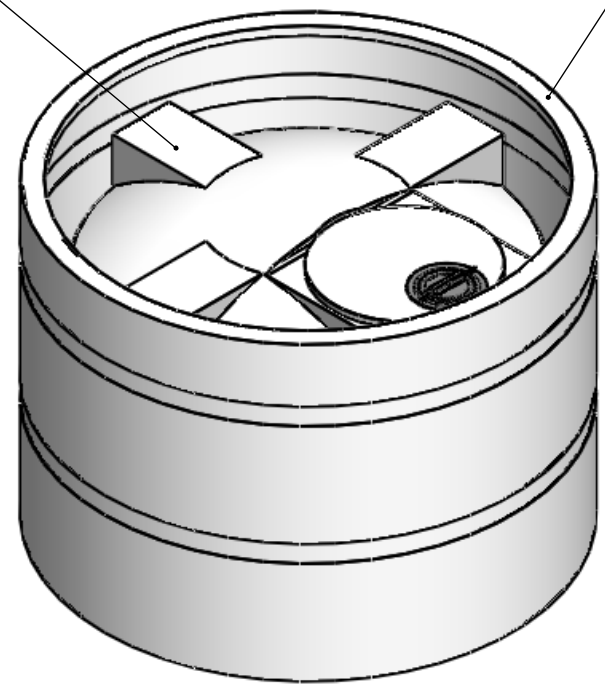
D
C
B
A



16" NON-VENTED LOCKING LID

525 VTHD

OVERPACK



NOTES:

1. PRIMARY TANK CAPACITY: 525 GALLONS
2. OVERPACK CAPACITY: 900 GALLONS
3. MATERIAL: HDPE
4. SHIPPING WEIGHT: 260 LBS.

PROPRIETARY AND CONFIDENTIAL
 THE INFORMATION CONTAINED IN THIS DRAWING IS THE SOLE PROPERTY OF <INSERT COMPANY NAME HERE>. ANY REPRODUCTION IN PART OR AS A WHOLE WITHOUT THE WRITTEN PERMISSION OF <INSERT COMPANY NAME HERE> IS PROHIBITED.

		UNLESS OTHERWISE SPECIFIED:		NAME	DATE	CUSTOM ROTO-MOLDING, INC.			
		DIMENSIONS ARE IN INCHES		DRAWN	EBW	6-24-11	TITLE: 525 VT ENCAPSULATED		
		TOLERANCES:		CHECKED					
		FRACTIONAL ±		ENG APPR.					
		ANGULAR: MACH ± BEND ±		MFG APPR.					
		TWO PLACE DECIMAL ±		Q.A.			SIZE	DWG. NO.	REV
		THREE PLACE DECIMAL ±		COMMENTS:			B	525 VTE	
NEXT ASSY	USED ON	INTERPRET GEOMETRIC TOLERANCING PER:				SCALE: 1:24		WEIGHT:	SHEET 1 OF 1
APPLICATION		MATERIAL							
		FINISH							
		DO NOT SCALE DRAWING							