

8" THREADED LID  
W/BREATHER

2 1/4"

24"

32"

48"

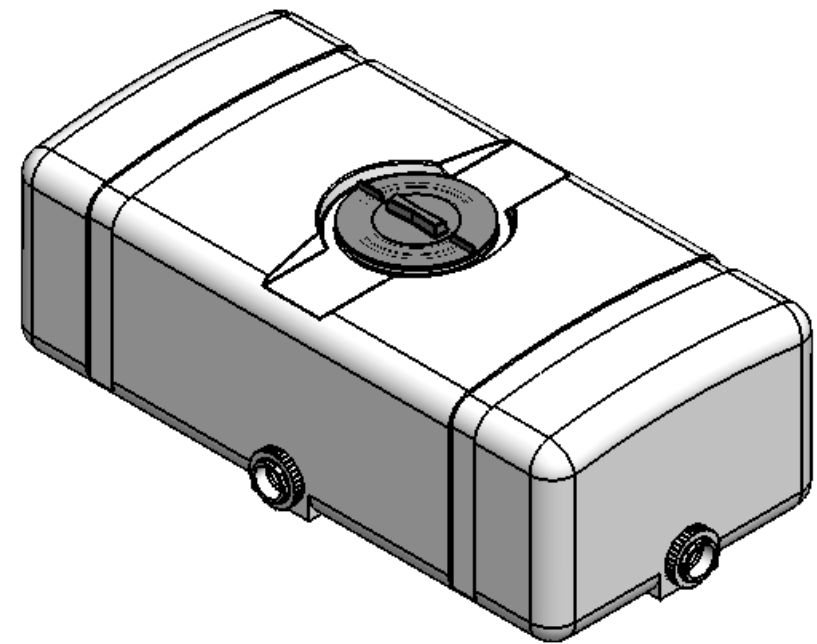
2 1/4"

16"

16 9/16"

2" POLYPRO  
INSTALLED LONG SIDE

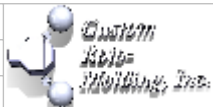
2" POLYPRO  
INSTALLED SHORT SIDE

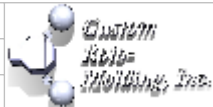


NOTES:

1. MATERIAL: HDPE
2. WEIGHT: 36 LBS.
3. CAPACITY: 70 GALLONS
4. SPECIFY SHORT OR LONG SIDE FOR FITTING PLACEMENT

**PROPRIETARY AND CONFIDENTIAL**  
THE INFORMATION CONTAINED IN THIS DRAWING IS THE SOLE PROPERTY OF <INSERT COMPANY NAME HERE>. ANY REPRODUCTION IN PART OR AS A WHOLE WITHOUT THE WRITTEN PERMISSION OF <INSERT COMPANY NAME HERE> IS PROHIBITED.

		UNLESS OTHERWISE SPECIFIED:		NAME	DATE
		DIMENSIONS ARE IN INCHES		DRAWN	EBW 1-29-14
		TOLERANCES:		CHECKED	
		FRACTIONAL ±		ENG APPR.	
		ANGULAR: MACH ± BEND ±		MFG APPR.	
		TWO PLACE DECIMAL ±		Q.A.	
		THREE PLACE DECIMAL ±		COMMENTS:	
		INTERPRET GEOMETRIC TOLERANCING PER:		 <p>TITLE: <b>70 GALLON LOW PROFILE RECTANGULAR TANK</b></p>	
		MATERIAL			
NEXT ASSY	USED ON	FINISH		SIZE	DWG. NO.
APPLICATION		DO NOT SCALE DRAWING		<b>B</b>	<b>70 LPRT</b>
				SCALE: 1:8	WEIGHT:
				SHEET 1 OF 1	



TITLE:  
**70 GALLON LOW PROFILE RECTANGULAR TANK**

SIZE DWG. NO. REV  
**B** **70 LPRT**

SCALE: 1:8 WEIGHT: SHEET 1 OF 1