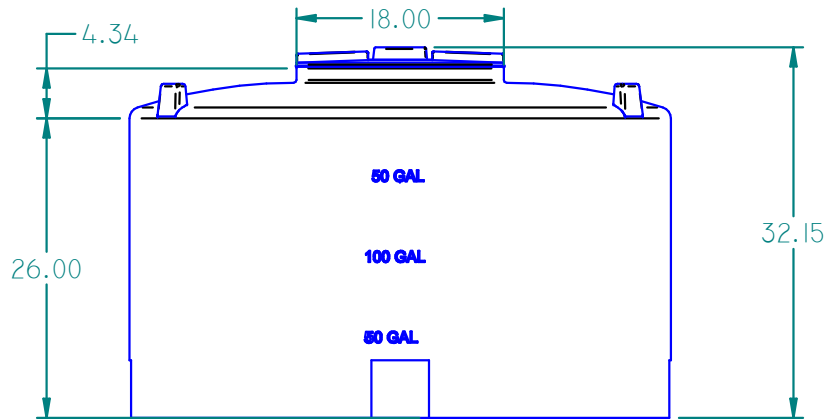


TOP VIEW

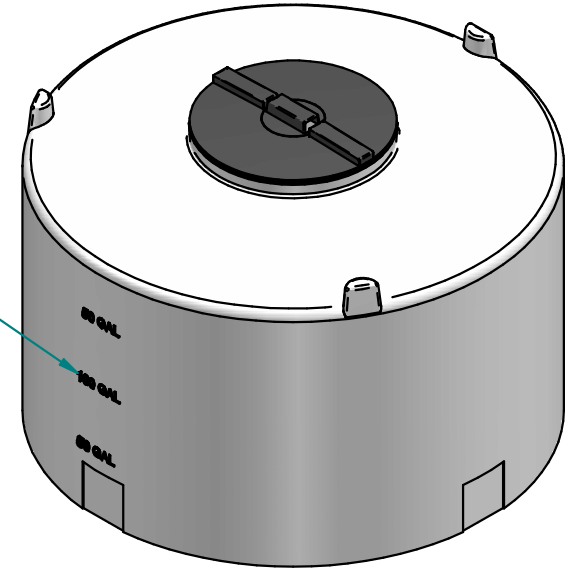
TANK IS CALIBRATED  
IN 50 GAL INCREMENTS



SIDE VIEW


REVISION HISTORY

REV	DESCRIPTION	DATE	APPROVED
10	UPDATED DRAWING ACCORDING TO CURRENT TANK	04/15/11	



ISO VIEW

WALL THICKNESS: 0.187"

 16160 Hwy 27 Lake Wales, FL 33859												
<table border="1"> <thead> <tr> <th>NAME</th> <th>DATE</th> </tr> </thead> <tbody> <tr> <td>DRAWN MNEGRON</td> <td>4/15/2011</td> </tr> <tr> <td>CHECKED</td> <td></td> </tr> <tr> <td>ENG APPR</td> <td></td> </tr> <tr> <td>MGR APPR</td> <td></td> </tr> </tbody> </table>	NAME	DATE	DRAWN MNEGRON	4/15/2011	CHECKED		ENG APPR		MGR APPR		TITLE 200 GALLON VERTICAL TANK SIZE A MATERIAL: LMDPE FILE NAME: V-200 VERTICAL.DFT PART#: 900200 WEIGHT: 45.944 LBM	REV 10 SHEET 1 OF 1
NAME	DATE											
DRAWN MNEGRON	4/15/2011											
CHECKED												
ENG APPR												
MGR APPR												
UNLESS OTHERWISE SPECIFIED DIMENSIONS ARE IN INCHES ANGLES ±0.5° 2 PL ±0.125" 3 PL ±0.060"												