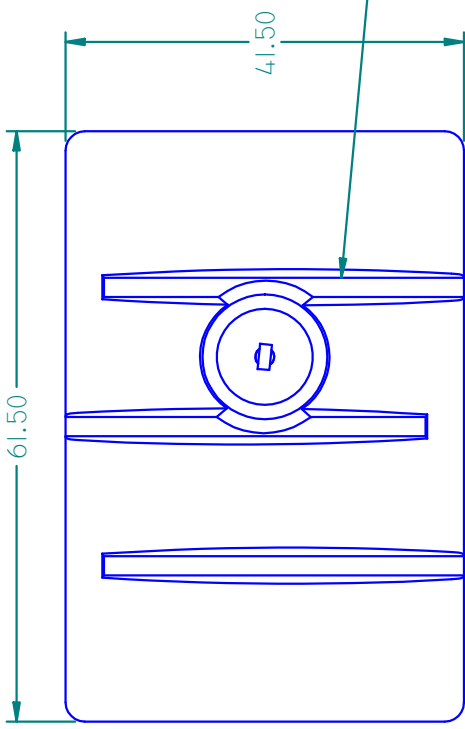
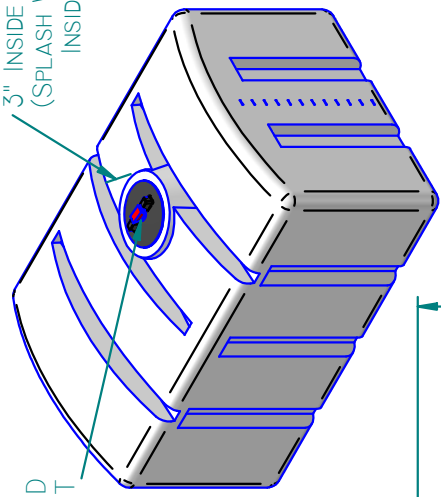


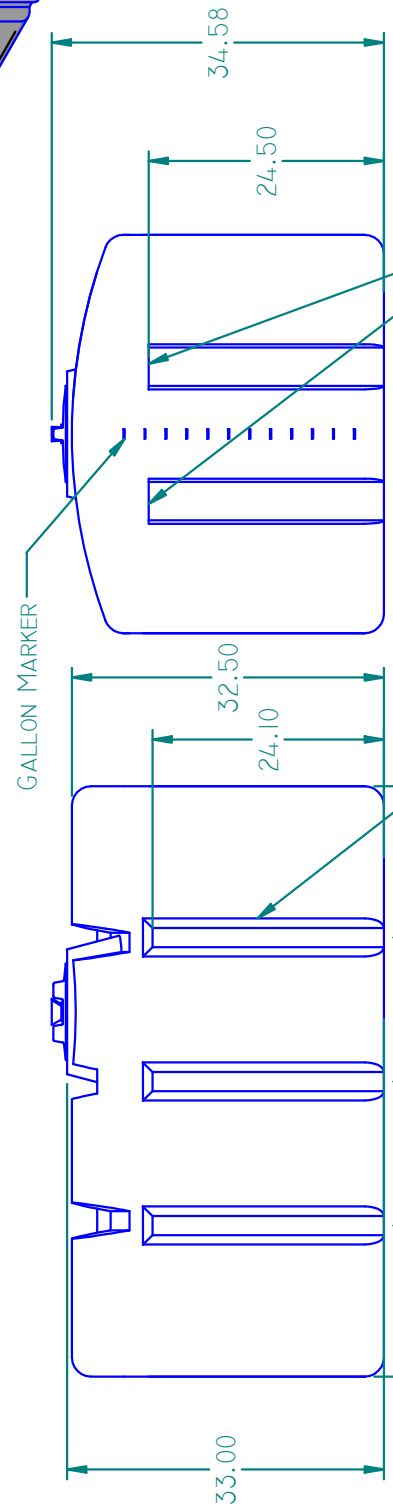
REVISION HISTORY

REV	DESCRIPTION	DATE	APPROVED
5	CHG OVERALL SIZE	02-14-05	

8 IN THREADED LID W/ VENT
 3" INSIDE RECESS (SPLASH WALL) INSIDE



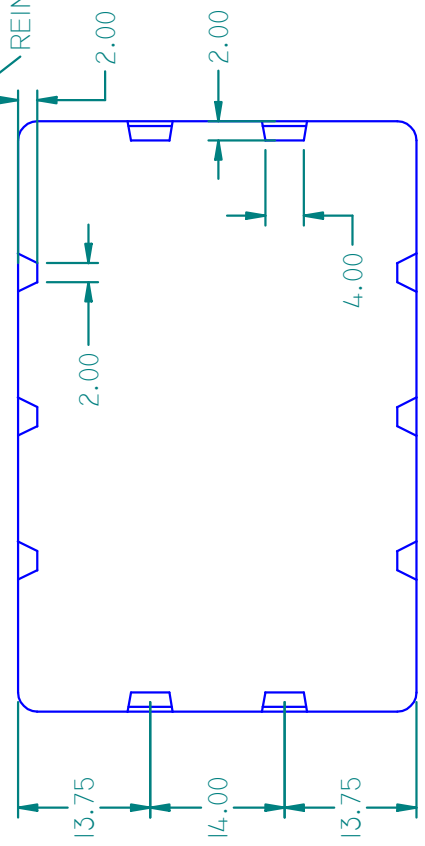
REINFORCING RIBS (SLOPED FOR DRAINAGE)



GALLON MARKER

REINFORCING RIBS TYP (9) PLCS

TANK HANDLES TYP (4) PLCS



NAME	DATE
MNEGRON	09/08/04
CHECKED	
ENG APPR	
MGR APPR	

TITLE: 300 GAL LOAF TANK	
SIZE: A	MATERIAL: POLYETHYLENE
REV: 5	

FILE NAME: 300 GAL LOAF TANK (SALES).DFT	WEIGHT: 100 LBM
PART#: 920300	SHEET: 1 OF 1

UNLESS OTHERWISE SPECIFIED
 DIMENSIONS ARE IN INCHES
 ANGLES ±0.5°
 2 PL ±0.125" 3 PL ±0.060"

WALL THICKNESS: 0.250 IN