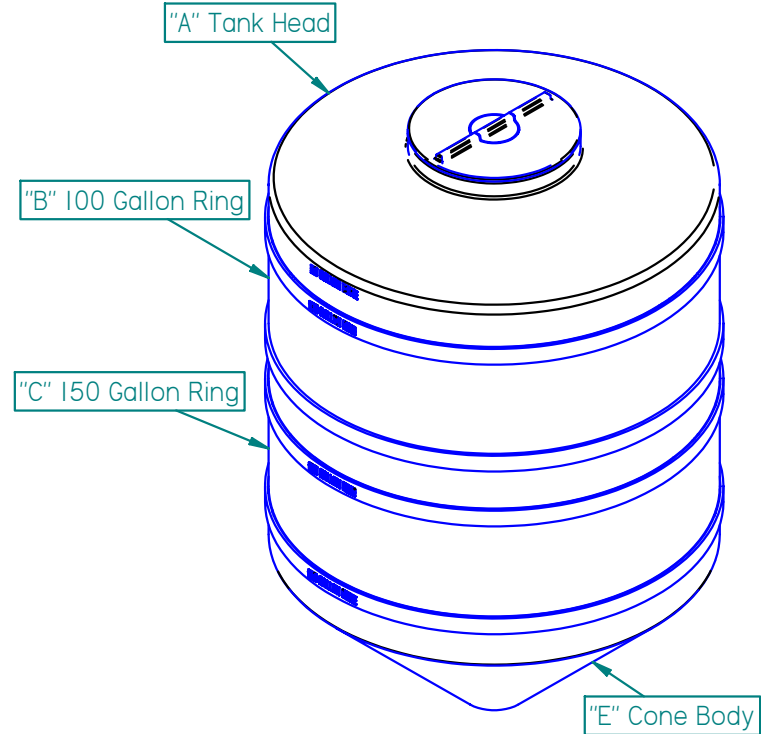


Front View

Tank Mold Assembly Requires "A" Tank Head, "B" 100 Gallon Ring, "C" 150 Gallon Ring, and "E" Tank Cone Sections.

REVISION HISTORY

REV	DESCRIPTION	DATE	APPROVED
	APPROVED FOR PRODUCTION	10/1/2003	



ISO View

	NAME	DATE
DRAWN	Michael	8/29/2003
CHECKED		
ENG APPR		
MGR APPR		

TITLE 400 Gallon Cone Tank		
SIZE A	MATERIAL: LMDPE Natural	REV
FILE NAME: 400GalConeAssy.dft		
PART#: 930401HD	WEIGHT: 118.590 lbm	SHEET 1 OF 1

UNLESS OTHERWISE SPECIFIED
DIMENSIONS ARE IN INCHES
ANGLES ±0.5°
2 PL ±0.125" 3 PL ±0.060"