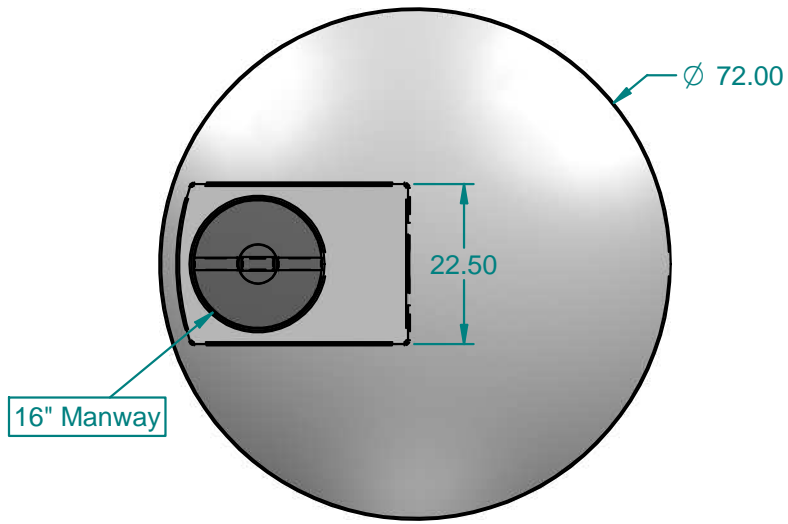


REVISION HISTORY

REV	DESCRIPTION	DATE	APPROVED

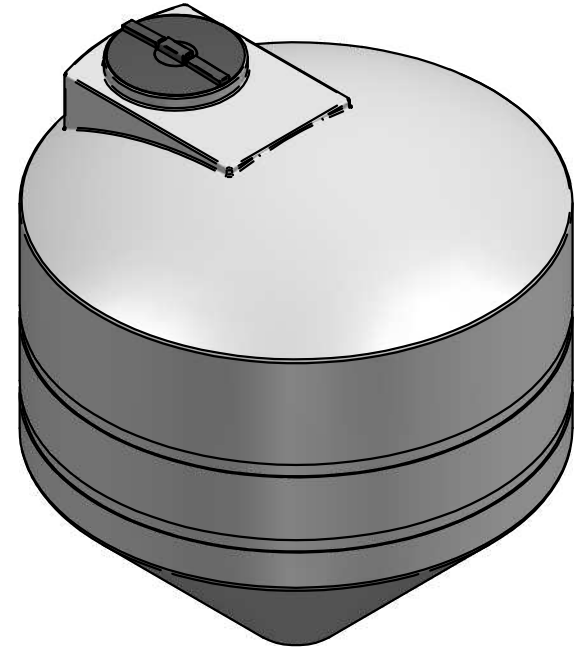


16" Manway

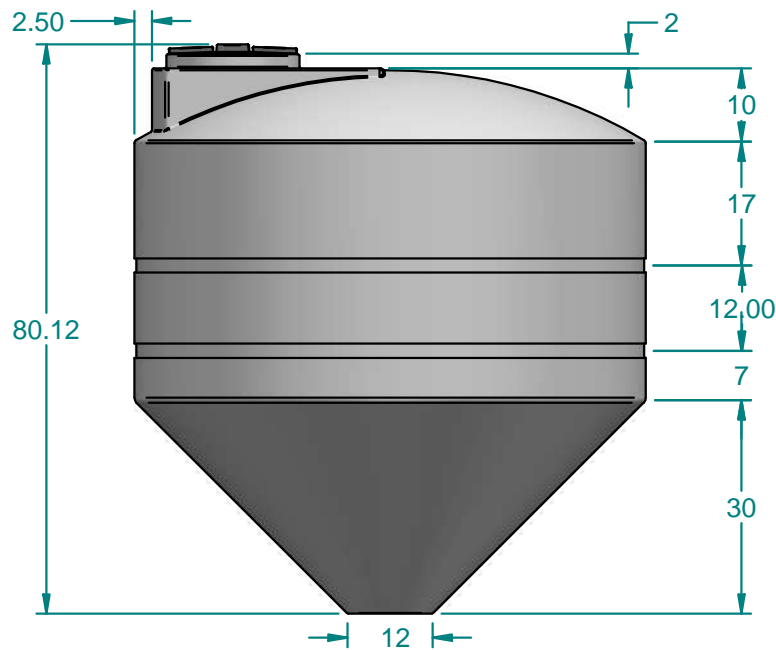
Ø 72.00

22.50

Top View



ISO View



Side View

wall thickness: .220"

	NAME	DATE		
DRAWN	mputt	5/8/2006		
CHECKED			TITLE	900 Gallon Cone Tank 1.2 SPG
ENG APPR			SIZE	A
MGR APPR			MATERIAL:	hdpe natural
				REV
			FILE NAME:	C900 Tank.dft
			PART#:	930900
			WEIGHT:	140.290 lbn
				SHEET 1 OF 1

UNLESS OTHERWISE SPECIFIED
DIMENSIONS ARE IN INCHES
ANGLES ±0.5°
2 PL ±0.125" 3 PL ±0.060"