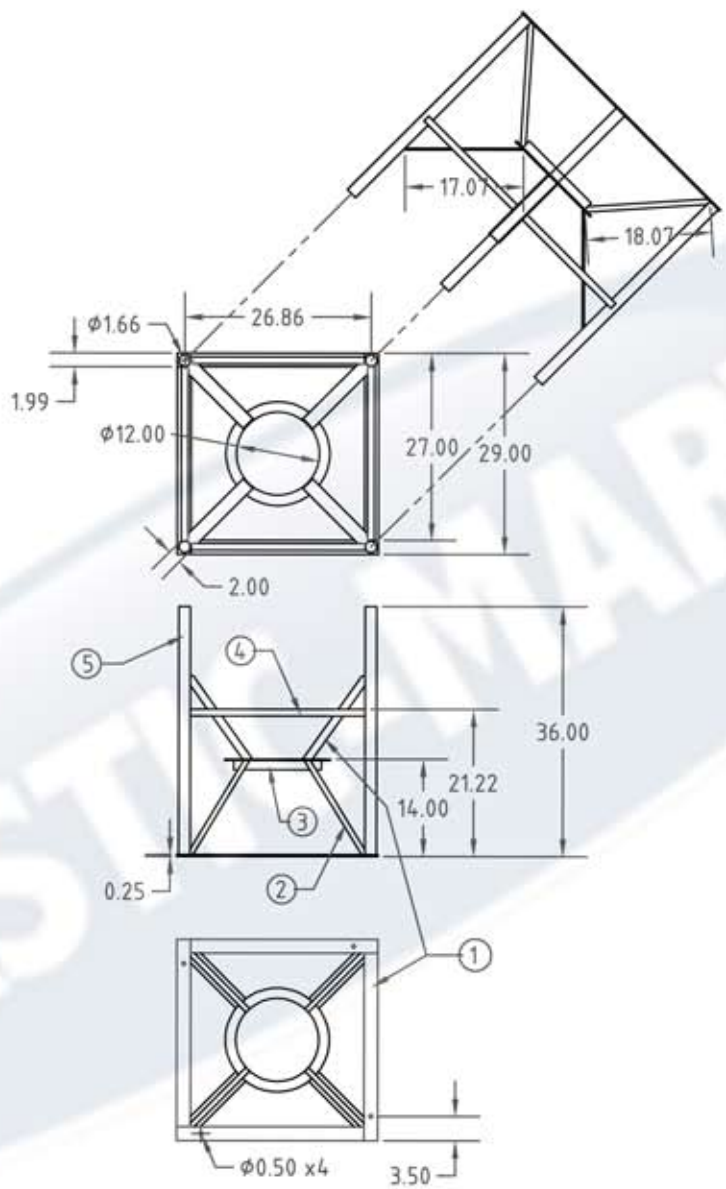


PROPRIETARY DATA

PROPERTY OF ACE ROTO-MOLD MFG, INC. INFORMATION FURNISHED HEREIN IS THE PROPERTY OF ACE ROTO-MOLD MFG, INC. AND SHALL NOT BE USED, DISCLOSED TO OTHERS, OR COPIED WITHOUT THE EXPRESSED WRITTEN CONSENT OF ACE ROTO-MOLD MFG, INC. ALL RIGHTS RESERVED.

KEY	PART NUMBER	DESCRIPTION	QTY.
1	B02500X20000	1/4 X 2 FLAT	180 IN
2	P05000	1/2" SIZE TUBING	71 IN
3	RAR-12	12" ROLLED ANGLE	1
4	T1000X01090	1" OD ROUND MILD X .109	101 IN
5	T1660X01090	1.66 RD MILD STL FULL	144 IN



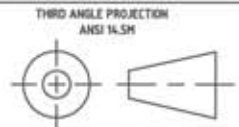
REV	DESCRIPTION	DATE	APPRD
A	ADDED HOLE SPACING DIMS AND B.O.M.	5/15/06	NVE

DRAWN / DATE DHJ 4/16/04	MATERIAL MILD STEEL
APPRD. / DATE	NOTES:



866-310-2556

ALL DIMENSIONS ARE IN DECIMAL INCHES
TOLERANCES UNLESS OTHERWISE SPECIFIED
± 1% @ 68° F



NOTES:
1. BLACK COLOR - POWDER COATED
2. WEIGHT 63 LBS.

CLIENT / DESCRIPTION STAND FOR 45° 150 GALLON CONE BOTTOM TANK	
SCALE N.S.	PART NO. CB036-45ST