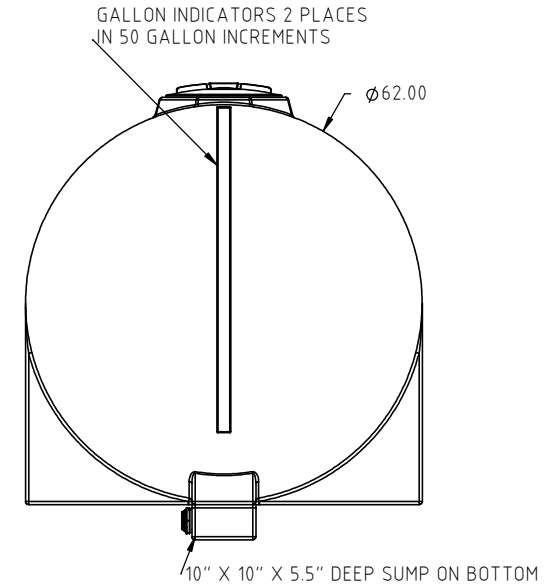
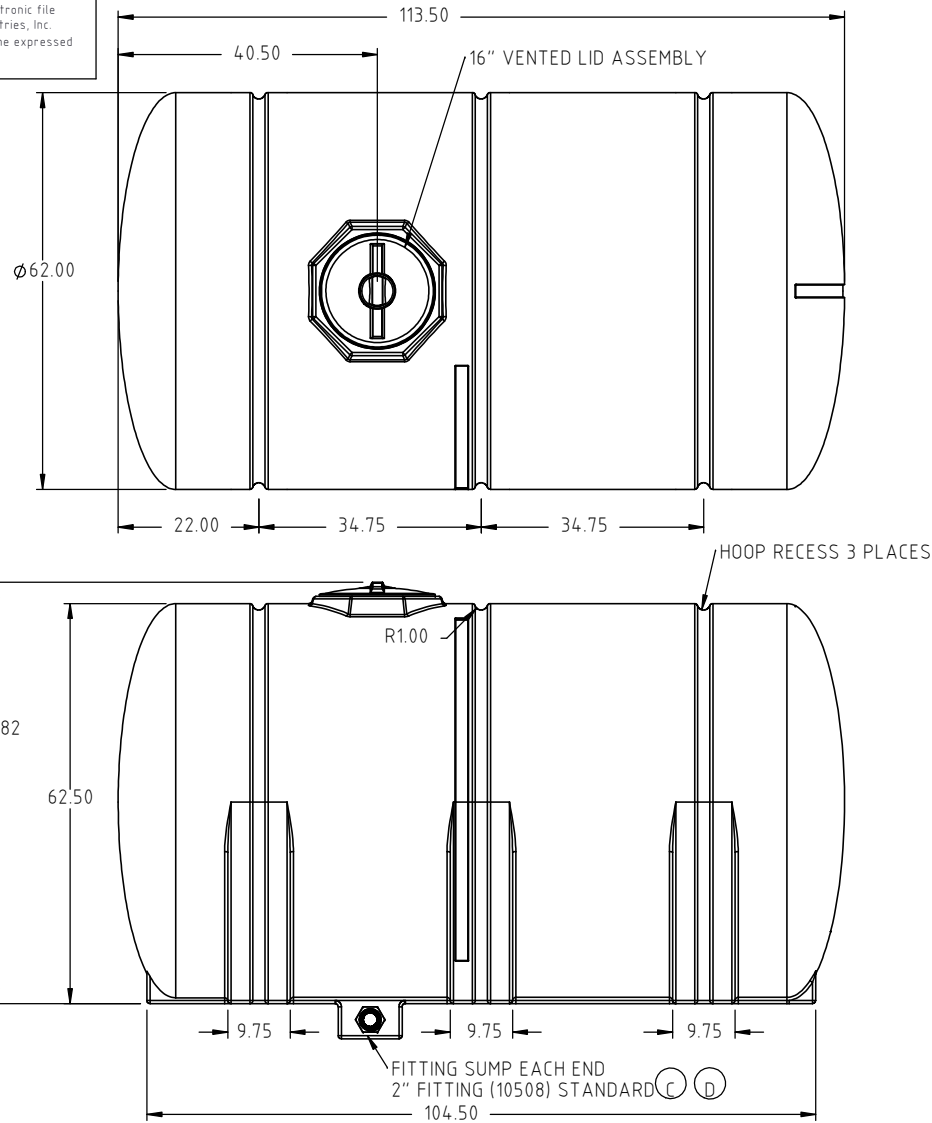


Copyright. All information furnished within this document, electronic file or design correspondence is the property of Den Hartog Industries, Inc. and shall not be used, disclosed to others or copied without the expressed written consent of Den Hartog Industries, Inc.



| | | | | | |
|--|---|--|------|-------------------------|---|
| D | BAFFLE FEATURES AND SYPHON TUBE REMOVED. FITTING MOVED INTO SUMP. | ADH 6/29/16 | 3260 | | |
| C | SYPHON TUBE NOTE UPDATED | ADH 5/5/11 | 2212 | DRAWN / DATE | MATERIAL |
| B | CHANGE SUMP | DHJ 11/2/07 | | REH 4/27/01 | HDPE |
| A | CHANGE PART # | 1/21/05 | | APPRD. / DATE | |
| REV | DESCRIPTION | BY / DATE | CCN | DHJ 4/27/01 | |
| ALL DIMENSIONS ARE IN DECIMAL INCHES TOLERANCES UNLESS OTHERWISE SPECIFIED | | THIRD ANGLE PROJECTION ANSI 14.5M | | SHOT WEIGHT: 425.00 LBS | NOTES: |
| POLYETHYLENE | | METAL DECIMAL ± .125" FRACTION ± 1/4" ANGLE ± 1° | | SHIPPING WEIGHT: | 1.) AVAILABLE IN NATURAL OR YELLOW COLOR. |
| ±1% @ 68°F | | | | FINISH: | 2.) NOM. WALL = 0.400 |

NOTE: 3 HOOPS ARE REQUIRED ON THIS TANK



Den Hartog
INDUSTRIES, INC.

Ace Roto-Mold Injection Molding Blow Molding Sowjoy

4010 HOSPERS DRIVE S. BOX 425, HOSPERS, IOWA 51238-0425

DESCRIPTION 1300 GAL. FREE STANDING LEG TANK WITH SUMP

SCALE N.S.

PART NO. FM1300-DS