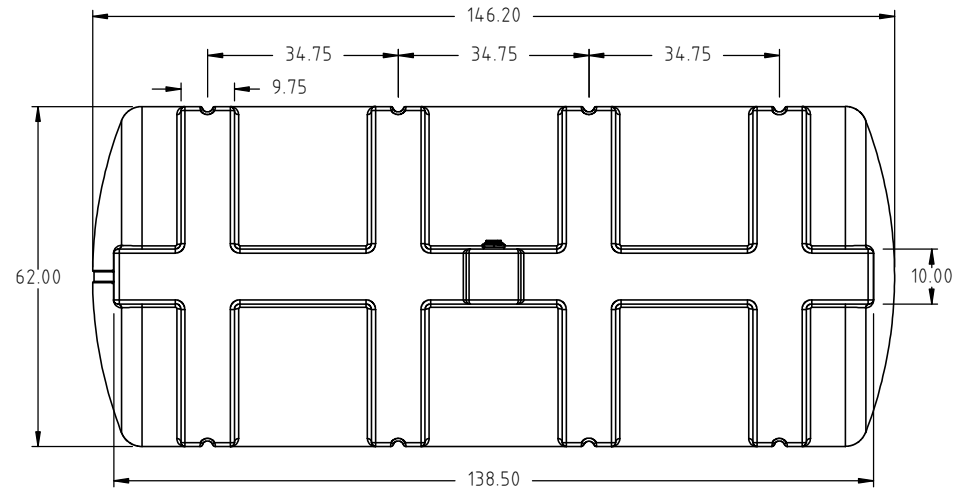
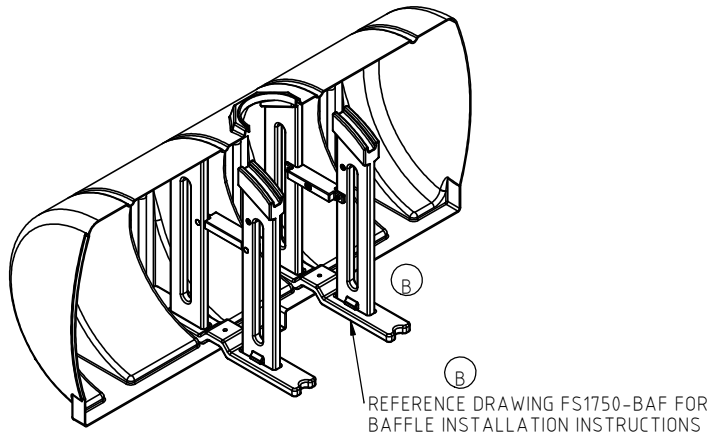
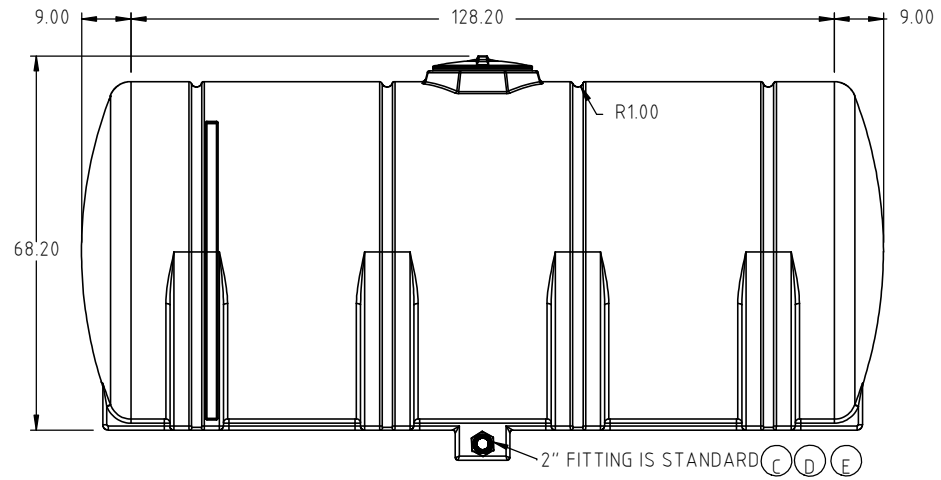
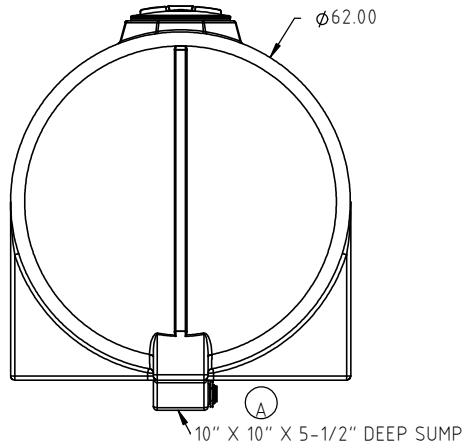


Copyright. All information furnished within this document, electronic file or design correspondence is the property of Den Hartog industries, Inc. and shall not be used, disclosed to others or copied without the expressed written consent of Den Hartog Industries, Inc.



E	BAFFLE FEATURES AND SYPHON TUBE REMOVED. FITTING MOVED INTO SUMP.	ADH 6/30/16	3260
D	SYPHON TUBE NOTE CLARIFIED	ADH 10/23/12	2511
C	SYPHON TUBE NOTE UPDATED	ADH 5/5/11	2212
B	BAFFLE KIT MADE STANDARD	ADH 5/15/08	1650
A	INCREASE SUMP SIZE	DHJ 9/28/07	
REV	DESCRIPTION	BY / DATE	CCN

DRAWN / DATE	MATERIAL
REH 09/12/06	HDPE
APPROD. / DATE	
DHJ 9/10/07	

NOTE: 4 HOOPS ARE REQUIRED ON THIS TANK
NOTE: FS1750-BAF KIT IS STANDARD



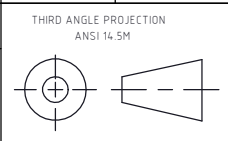
Den Hartog
INDUSTRIES, INC.

Ace Roto-Mold Injection Molding Blow Molding Sowjoy

4010 HOSPERS DRIVE S. BOX 425, HOSPERS, IOWA 51238-0425

ALL DIMENSIONS ARE IN DECIMAL INCHES
TOLERANCES UNLESS OTHERWISE SPECIFIED

POLYETHYLENE	METAL DECIMAL ± .125" FRACTION ± 1/4" ANGLE ± 1°
±1% @ 68°F	



SHOT WEIGHT:	540.00 LBS
SHIPPING WEIGHT:	
FINISH:	

NOTES:
1.) AVAILABLE IN NATURAL OR YELLOW COLOR
2.) NOM. WALL = 0.400

DESCRIPTION	1750 GAL. LEG TANK
SCALE	N.S.
PART NO.	FM1750-62