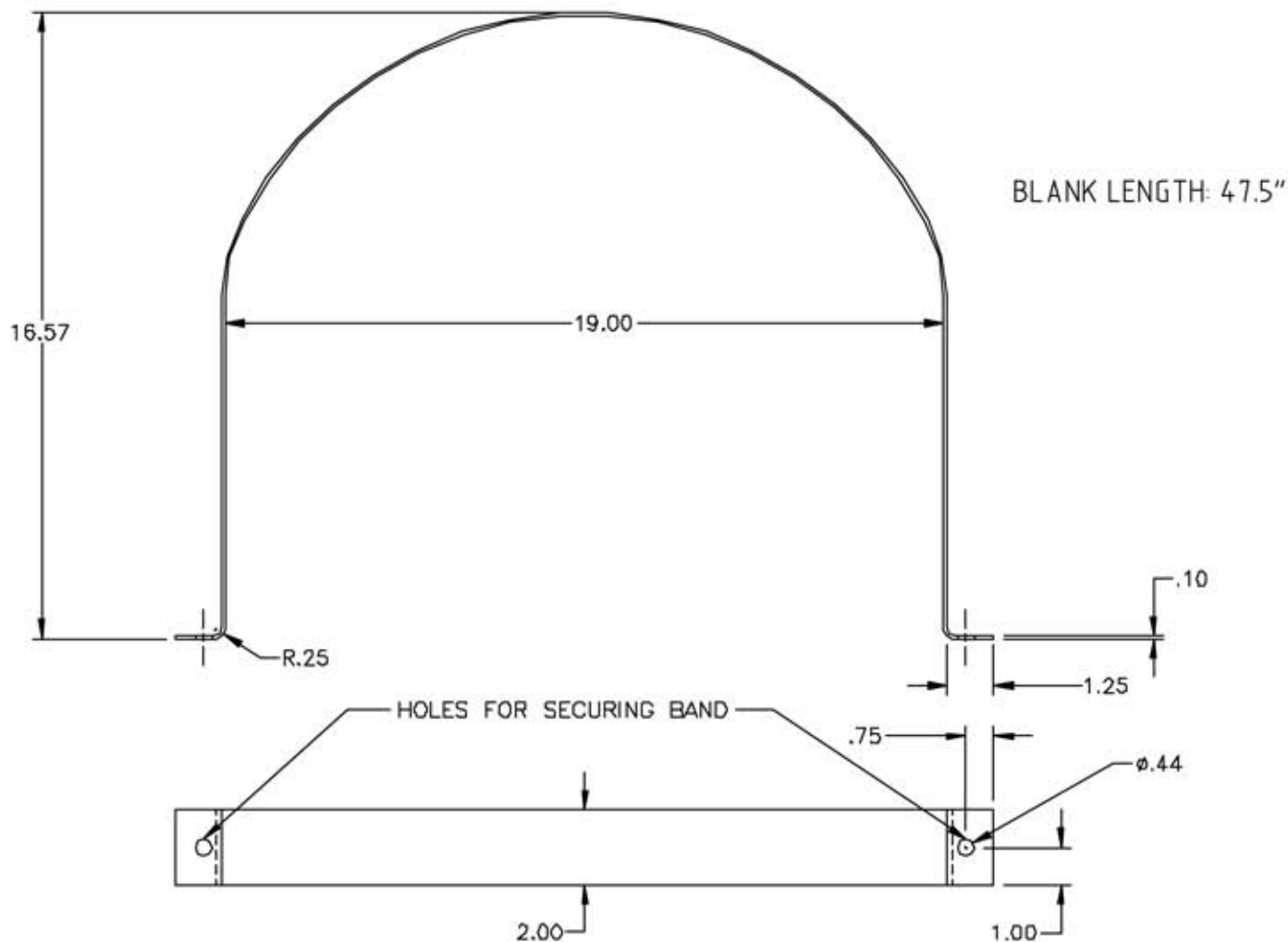


PROPRIETARY DATA

FS0035-SBPF

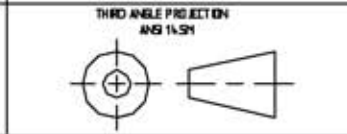
PROPERTY OF ACE ROTO-MOLD MFG., INC. INFORMATION FURNISHED HEREIN IS THE PROPERTY OF ACE ROTO-MOLD MFG., INC. AND SHALL NOT BE USED, DISCLOSED TO OTHERS, OR COPIED WITHOUT THE EXPRESSED WRITTEN CONSENT OF ACE ROTO-MOLD MFG., INC. ALL RIGHTS RESERVED.



| REV | DESCRIPTION | DATE | APPROD | |
|-----|-------------|------|--------|--|

| | |
|-------------------------------|--------------------------------------|
| DRAWN / DATE NVE 6/29/15 | MATERIAL 11 GA. [1119] MILD STEEL |
| APPROD. / DATE DHJ 9/27/15 | |

Ace Roto-Mold
 A DIVISION OF DEN HARTON INDUSTRIES, INC.
 4018 HWY. 60 BLVD., BOX 421, HOSPERS, IOWA 52338



NOTES:
 1. POWDER COATED
 2. WEIGHT 8 LBS.

| | |
|---|-------------------------|
| CLIENT / DESCRIPTION 35 GALLON KIT STEEL BAND (2/SET) | PART NO. FS0035-SBPF |
| SCALE N.S. | |

ALL DIMENSIONS ARE IN DECIMAL INCHES
 TOLERANCES UNLESS OTHERWISE SPECIFIED
 ± 1% @ 68° F