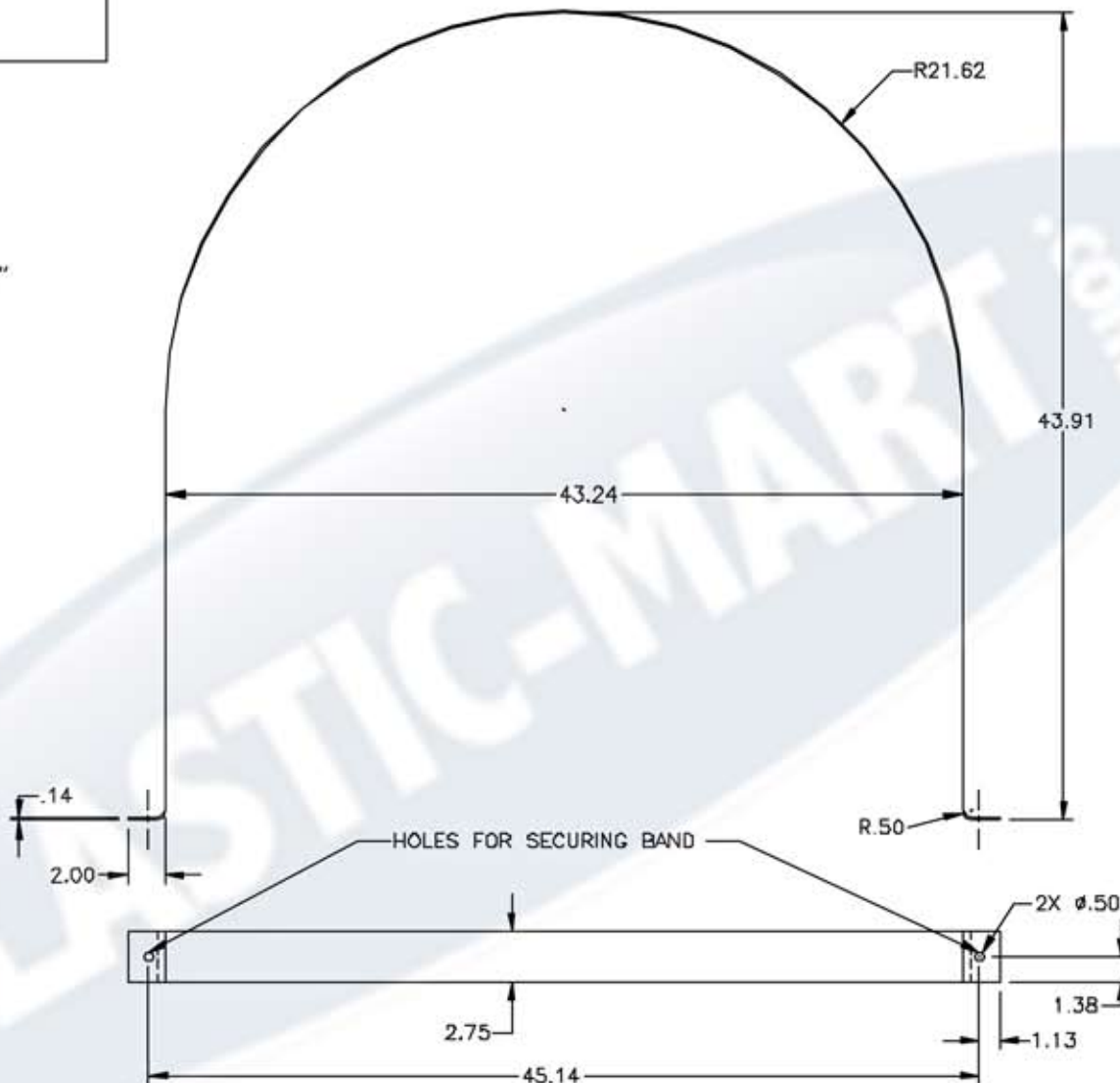


PROPRIETARY DATA

FS0335-SBPF

PROPERTY OF ACE ROTO-MOLD MFG., INC. INFORMATION FURNISHED HEREIN IS THE PROPERTY OF ACE ROTO-MOLD MFG., INC. AND SHALL NOT BE USED, DISCLOSED TO OTHERS, OR COPIED WITHOUT THE EXPRESSED WRITTEN CONSENT OF ACE ROTO-MOLD MFG., INC. ALL RIGHTS RESERVED.

BLANK LENGTH: 116.5"



DRAWN / DATE NVE 6/29/15		MATERIAL 7 GA 1.9431 GRN STEEL	
APPRD. / DATE DHJ 12/9/15		NOTES: 1. POWDER COATED 2. WEIGHT 34 LBS.	
THIRD ANGLE PROJECTION AND 1/4 SH			



866-310-2556

CLIENT / DESCRIPTION 335 GALLON KIT SILVER (2/SET)
POWDER-COATED FORMED STEEL BAND W/ FEET

SCALE N.S. PART NO. FS0335-SBPF

ALL DIMENSIONS ARE IN DECIMAL INCHES
TOLERANCES UNLESS OTHERWISE SPECIFIED
± 1% @ 68° F