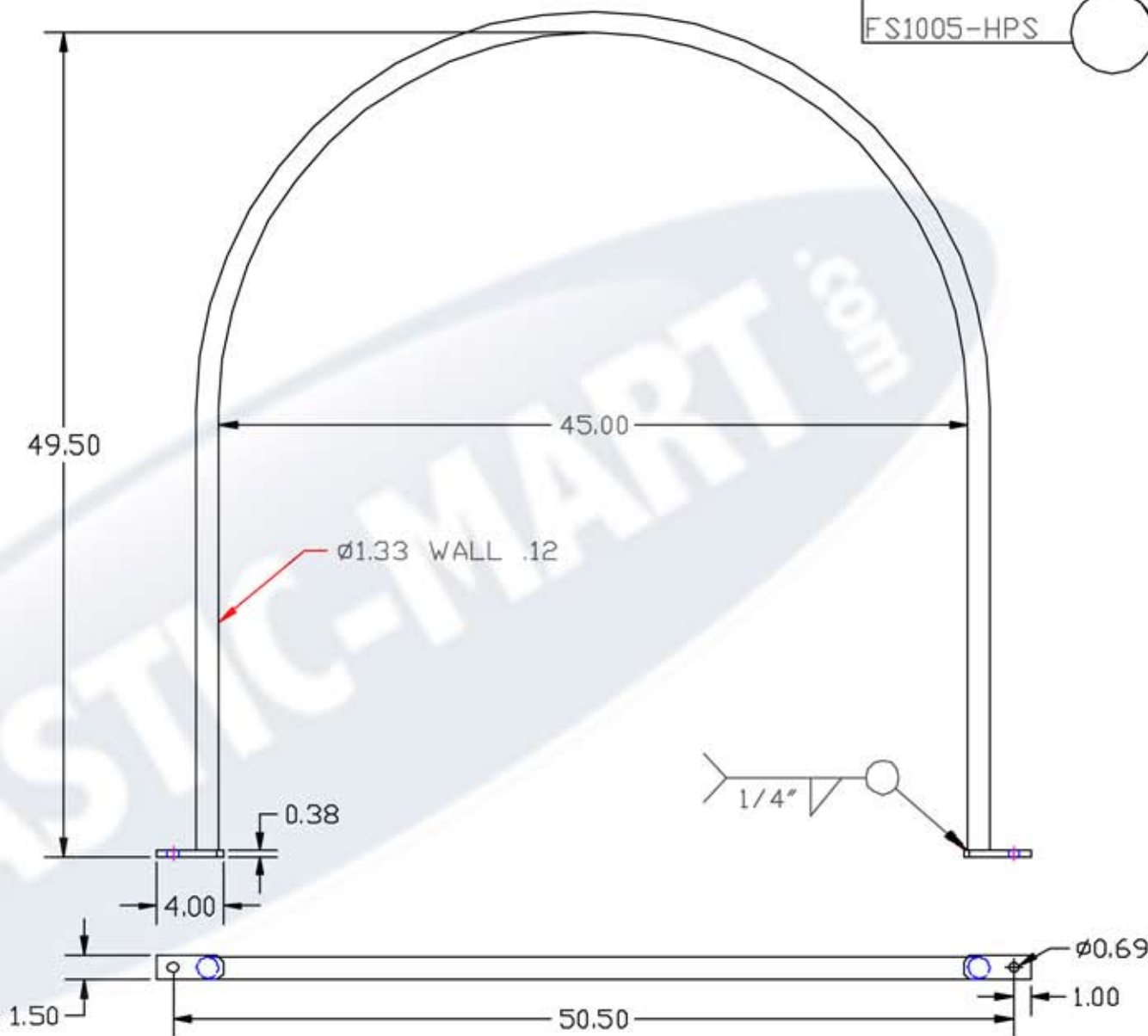



PROPRIETARY DATA

PROPERTY OF ACE ROTO-HOLD MFG., INC. INFORMATION FURNISHED HEREIN IS THE PROPERTY OF ACE ROTO-HOLD MFG., INC. AND SHALL NOT BE USED, DISCLOSED TO OTHERS, OR COPIED WITHOUT THE EXPRESSED WRITTEN CONSENT OF ACE ROTO-HOLD MFG., INC. ALL RIGHTS RESERVED.

FS1005-HPS



		DRAWN / DATE DHJ/1/29/03		MATERIAL / SHOT WEIGHT 17.5 LBS. 12 GA. MILD STEEL BLANK LENGTH 126"		 866-310-2556	
		APPRD. / DATE				CLIENT / DESCRIPTION HOOP FOR 1005 GALLON LEG TANK	
REV	DESCRIPTION	DATE APPRD.		THIRD ANGLE PROJECTION ANSI 14.5M		SCALE NONE	PART NO. FS1005-HPS
ALL DIMENSIONS ARE IN DECIMAL INCHES TOLERANCES UNLESS OTHERWISE SPECIFIED ±1% @ 68° F				