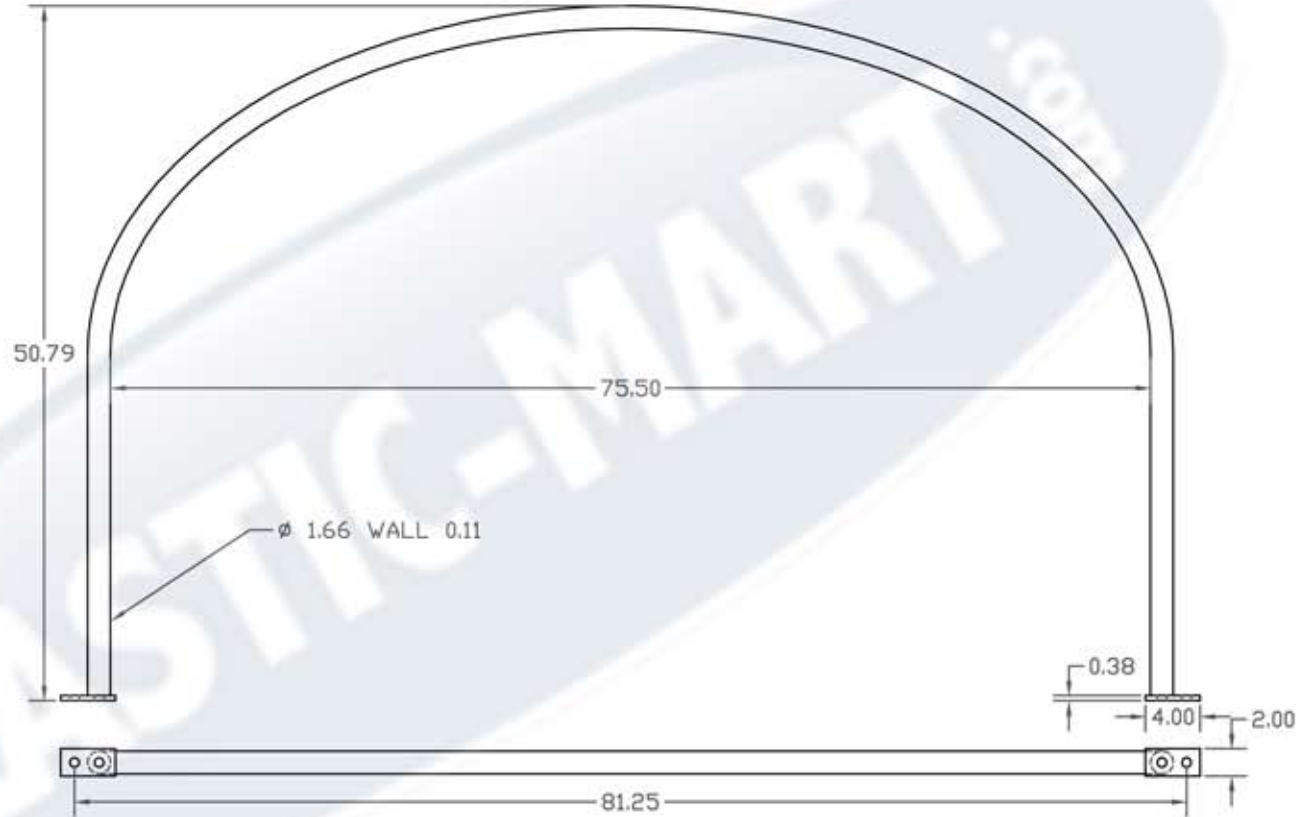

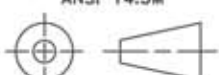


PROPRIETARY DATA

FS1035-HPS

PROPERTY OF ACE ROTO-MOLD MFG, INC. INFORMATION FURNISHED HEREIN IS THE PROPERTY OF ACE ROTO-MOLD MFG, INC. AND SHALL NOT BE USED, DISCLOSED TO OTHERS, OR COPIED WITHOUT THE EXPRESSED WRITTEN CONSENT OF ACE ROTO-MOLD MFG, INC. ALL RIGHTS RESERVED.



		DRAWN / DATE DHJ/1/29/03		MATERIAL / SHOT WEIGHT		 <b>866-310-2556</b>		
		APPRD. / DATE		TUBE				
A	CHANGE TO POWDER COATING	12/27/04						
REV	DESCRIPTION	DATE APPRD.						
ALL DIMENSIONS ARE IN DECIMAL INCHES TOLERANCES UNLESS OTHERWISE SPECIFIED $\pm 1\% \text{ @ } 68^\circ \text{ F}$			THIRD ANGLE PROJECTION ANSI 14.5M 		NOTES: 3 REQ. POWDER COAT BLACK		CLIENT / DESCRIPTION HOOP FOR 1035 GALLON ELLIPTICAL LEG TANK	
					SCALE NONE		PART NO. FS1035-HPS	