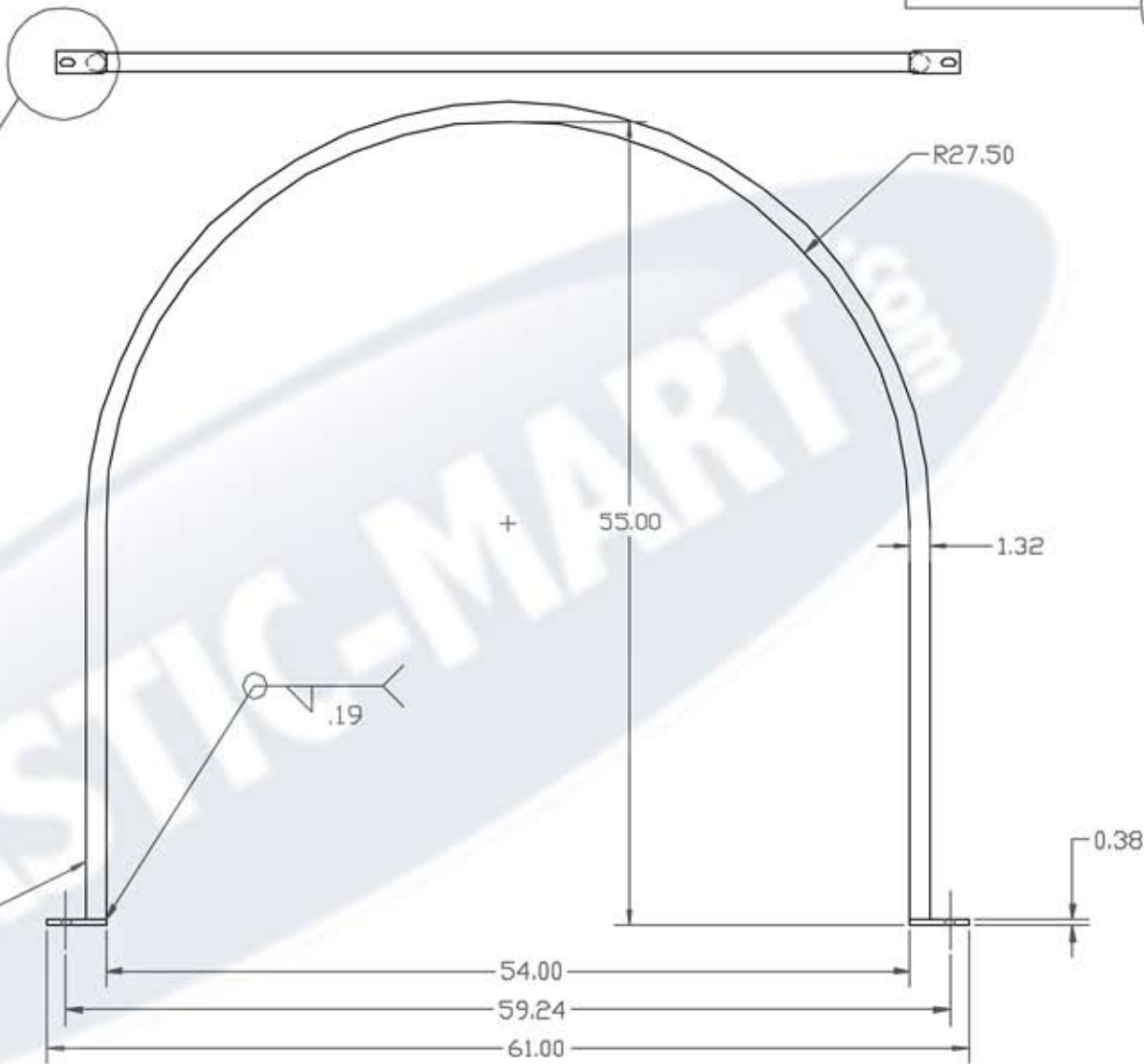
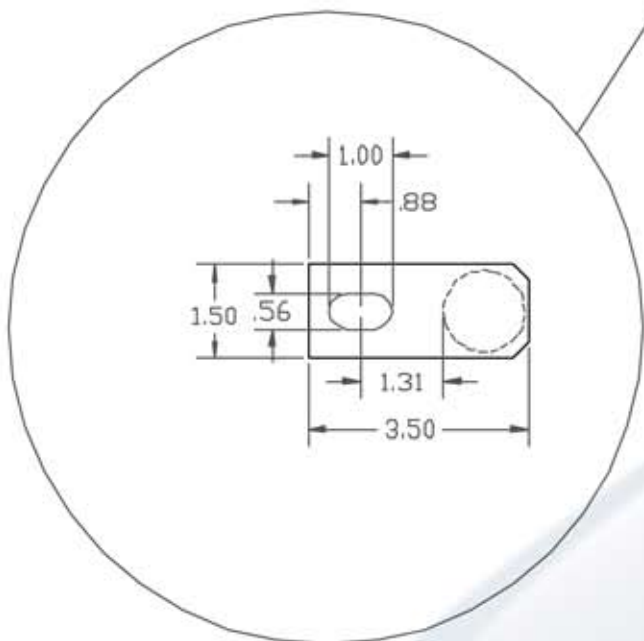


PROPRIETARY DATA

FS1065-HP

B

PROPERTY OF ACE ROTO-HOLD MFG., INC. INFORMATION FURNISHED HEREIN IS THE PROPERTY OF ACE ROTO-HOLD MFG., INC. AND SHALL NOT BE USED, DISCLOSED TO OTHERS, OR COPIED WITHOUT THE EXPRESSED WRITTEN CONSENT OF ACE ROTO-HOLD MFG., INC. ALL RIGHTS RESERVED.



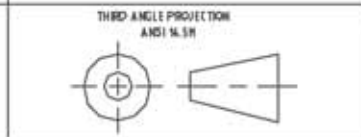
Ø1.315 14 GA WALL

B	PART NUMBER CHANGED	3/28/06	DRAWN / DATE	NVE 7/18/15
A	CHANGE FOOT DIM	3/20/06	APPRD. / DATE	REH 7/18/05
REV	DESCRIPTION	DATE	APPRD.	

MATERIAL	MILD STEEL
----------	------------

**PLASTIC-MART** 866-310-2556

ALL DIMENSIONS ARE IN DECIMAL INCHES  
TOLERANCES UNLESS OTHERWISE SPECIFIED  
± 1% @ 68° F



NOTES:  
1. BLACK COLOR-POWDER COATED  
2. WEIGHT 16 LBS.

CLIENT / DESCRIPTION		HOOP WITH FEET FOR FS1065 LEG TANK (3 REQ.)	
SCALE	N.S.	PART NO.	FS1065-HP