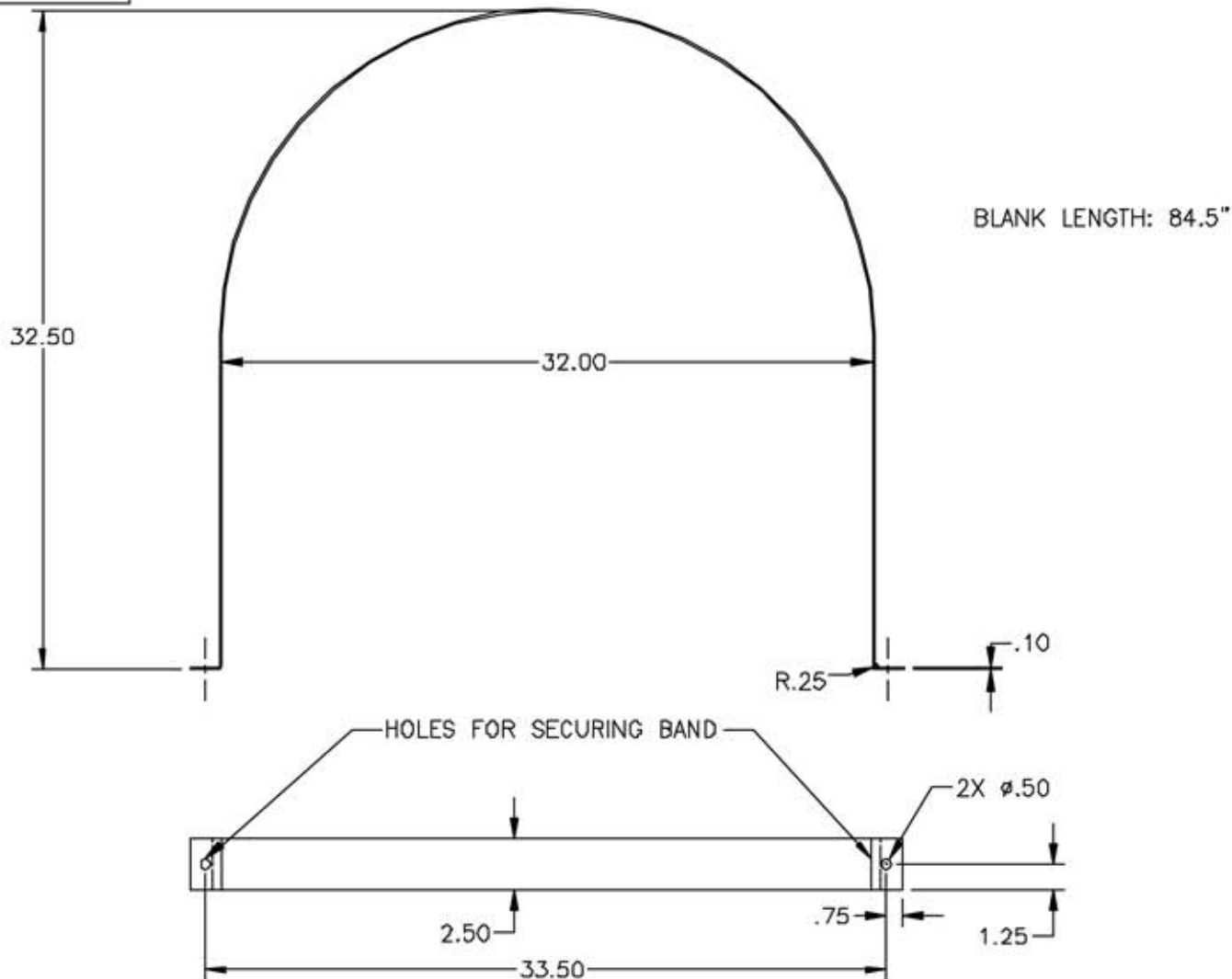

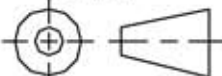


PROPRIETARY DATA

FS125/165-SBPF

PROPERTY OF ACE ROTO-MOLD MFG., INC. INFORMATION FURNISHED HEREIN IS THE PROPERTY OF ACE ROTO-MOLD MFG., INC. AND SHALL NOT BE USED, DISCLOSED TO OTHERS, OR COPIED WITHOUT THE EXPRESSED WRITTEN CONSENT OF ACE ROTO-MOLD MFG., INC. ALL RIGHTS RESERVED.



				DRAWN / DATE NVE 6/29/15	MATERIAL 18 GA. 131191 698 STEEL	 A DIVISION OF DEN HARTOG INDUSTRIES INC. 4018 HWY. 64 BLVD., BOX 421, HOSPERS, IOWA 51238	
				APPRD. / DATE DHJ 9/27/15		CLIENT / DESCRIPTION 125/165 GALLON KIT SILVER POWDER-COATED FORMED STEEL BAND W/ FEET	
REV	DESCRIPTION	DATE	APPRD.	THIRD ANGLE PROJECTION ANSI X1.9		NOTES: 1. POWDER COATED 2. WEIGHT 19 LBS.	SCALE N.S.
ALL DIMENSIONS ARE IN DECIMAL INCHES TOLERANCES UNLESS OTHERWISE SPECIFIED \pm 1% @ 68° F						PART NO. FS125/165-SBPF	