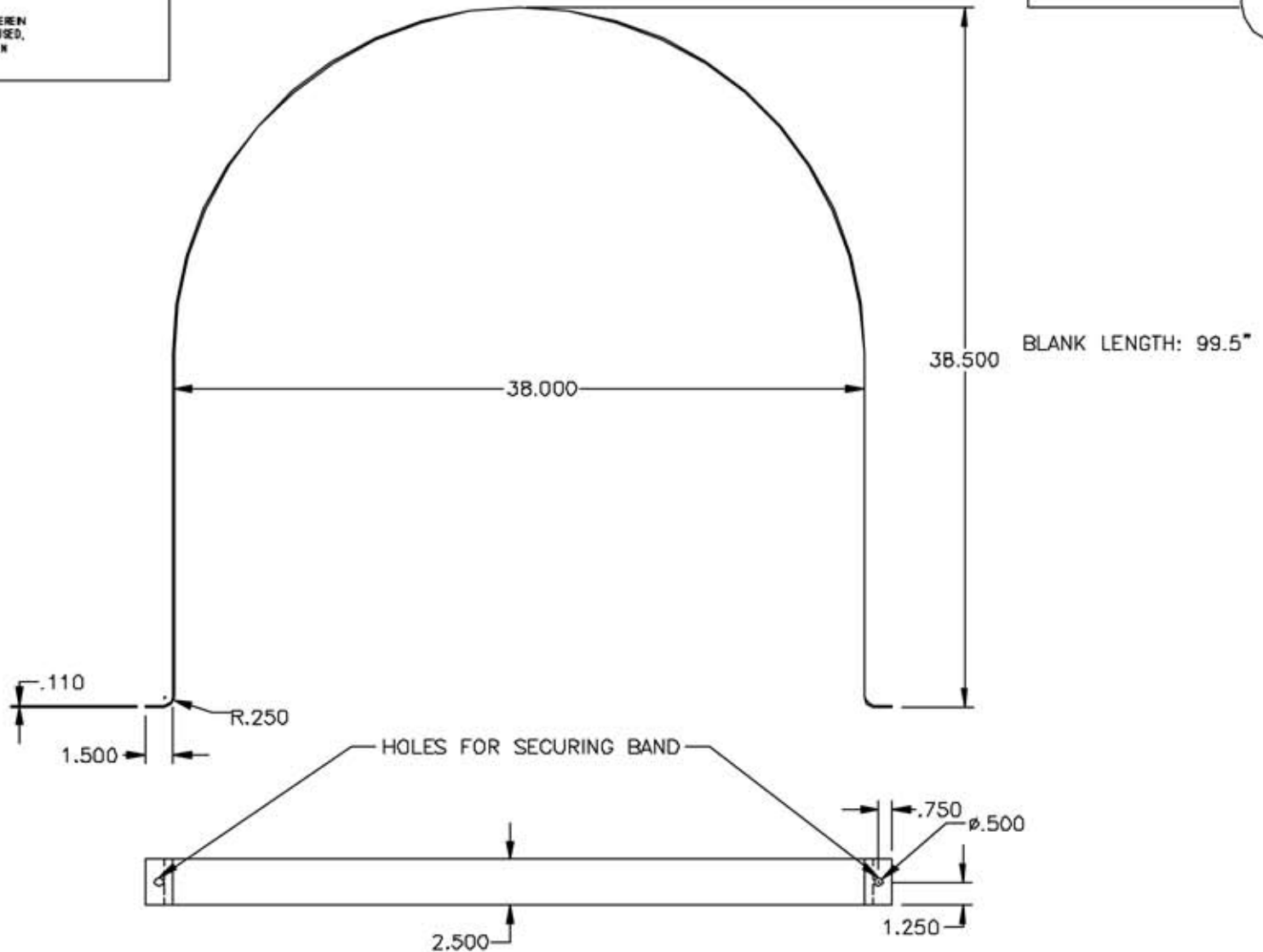


PROPRIETARY DATA

PROPERTY OF ACE ROTO-MOLD MFG., INC. INFORMATION FURNISHED HEREIN IS THE PROPERTY OF ACE ROTO-MOLD MFG., INC. AND SHALL NOT BE USED, DISCLOSED TO OTHERS, OR COPIED WITHOUT THE EXPRESSED WRITTEN CONSENT OF ACE ROTO-MOLD MFG., INC. ALL RIGHTS RESERVED.

FS225/325-SBPF



REV	DESCRIPTION	DATE	APPROD

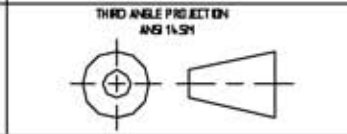
DRAWN / DATE NVE 6/29/15
APPROD. / DATE DHJ 9/27/15

MATERIAL 18 GA (.149) G98 STEEL REFERENCE MATERIAL DATA SHEET FOR SPECIFIC PROPERTIES.

Ace Roto-Mold
A DIVISION OF DEN HARTOG INDUSTRIERING
4018 HWY. 60 BLVD., BOX 421, HDSPEERS, IOWA 52238

CLIENT / DESCRIPTION 225/325 GALLON KIT SILVER (2/SET) POWDER-COATED FORMED STEEL BAND W/ FEET
--

ALL DIMENSIONS ARE IN DECIMAL INCHES
TOLERANCES UNLESS OTHERWISE SPECIFIED
± 1% @ 68° F



- NOTES:
1. POWDER COATED
 2. WEIGHT 19 LBS.

SCALE N.S.

PART NO. FS225/325-SBPF
