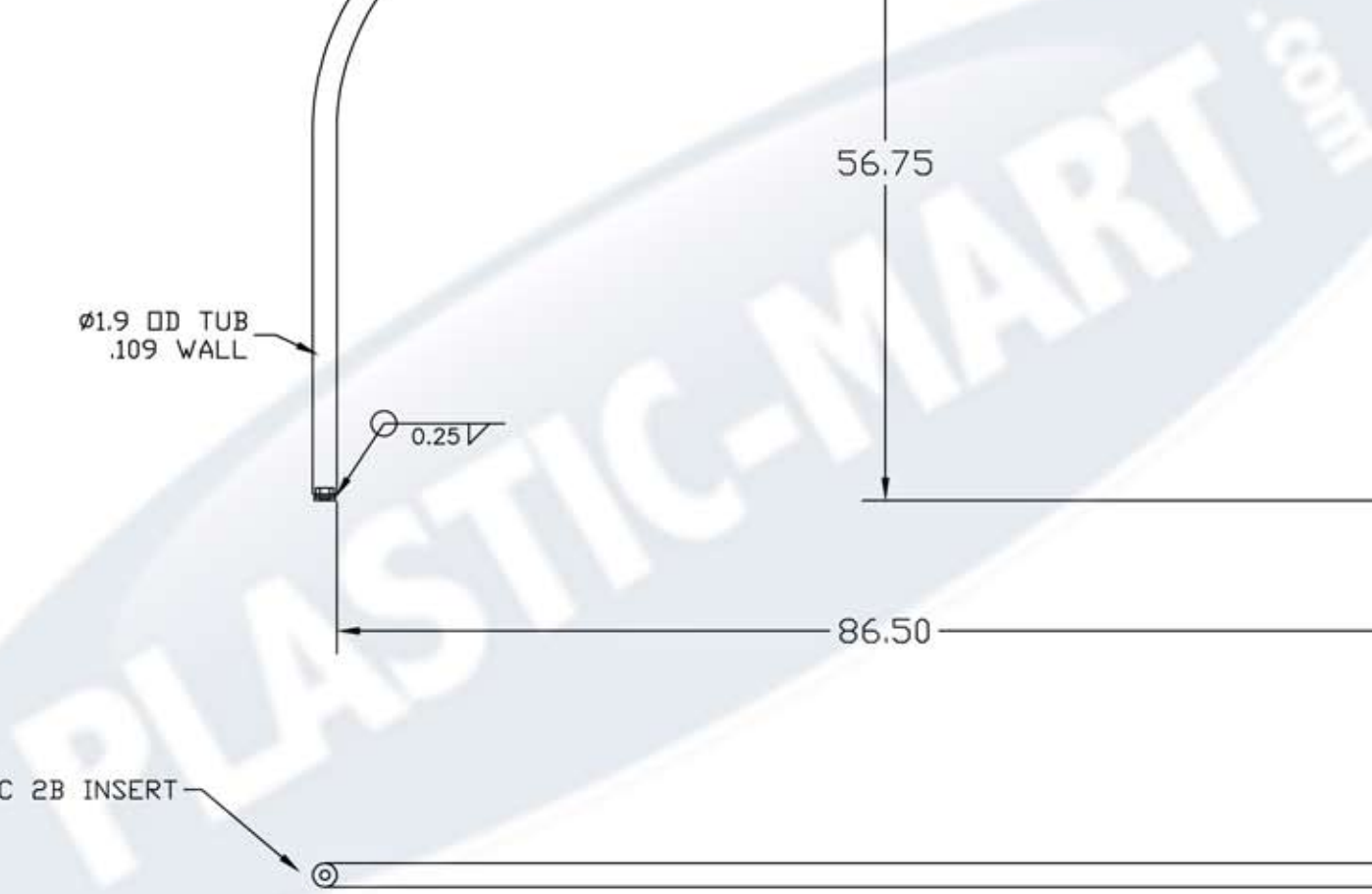
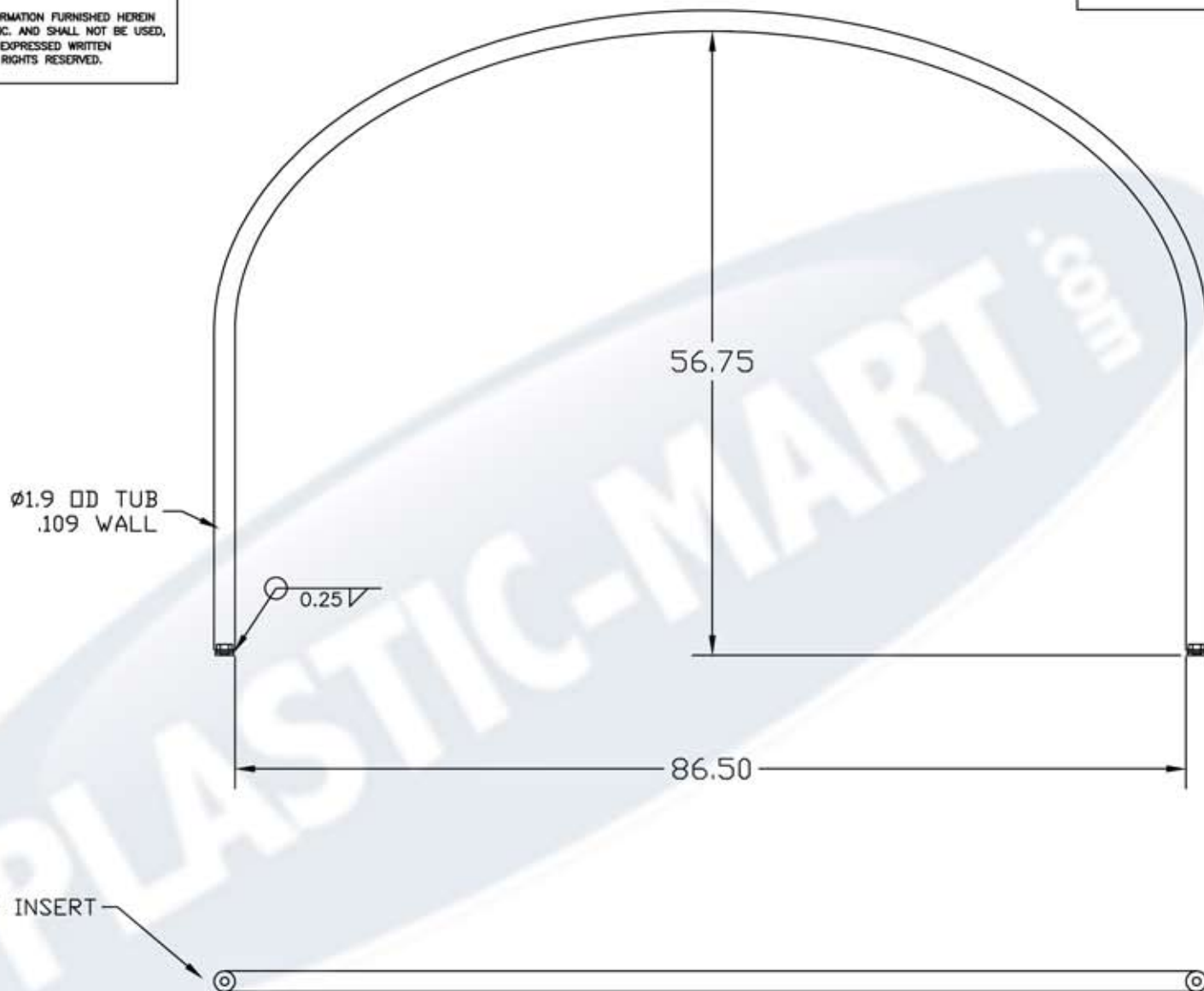


PROPERTY OF DEN HARTOG INDUSTRIES, INC. INFORMATION FURNISHED HEREIN IS THE PROPERTY OF DEN HARTOG INDUSTRIES, INC. AND SHALL NOT BE USED, DISCLOSED TO OTHERS, OR COPIED WITHOUT THE EXPRESSED WRITTEN CONSENT OF DEN HARTOG INDUSTRIES, INC. ALL RIGHTS RESERVED.



		DRAWN / DATE DHJ 2/24/05		MATERIAL 1.9 RD X 169 12GA TUBING BLANK LENGTH: 174 IN.	
A	FINALIZED DRAWING	6/22/06	NVE	APPRD. / DATE	
REV	DESCRIPTION	DATE	APPRD		
ALL DIMENSIONS ARE IN DECIMAL INCHES TOLERANCES UNLESS OTHERWISE SPECIFIED ± 1% @ 68° F				THIRD ANGLE PROJECTION ANSI 14.5M 	
				NOTES: 1. WEIGHT 29 LBS.	

866-310-2556

CLIENT / DESCRIPTION
HOOP FOR 2350 GALLON ELLIPTICAL LEG TANK
WITH THREADED INSERTS

SCALE N.S.	PART NO. FS2350-HPS
---------------	------------------------