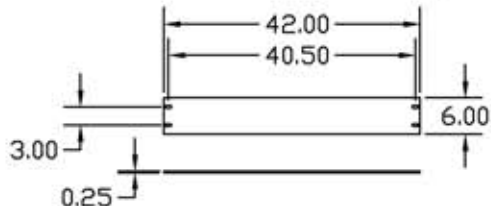


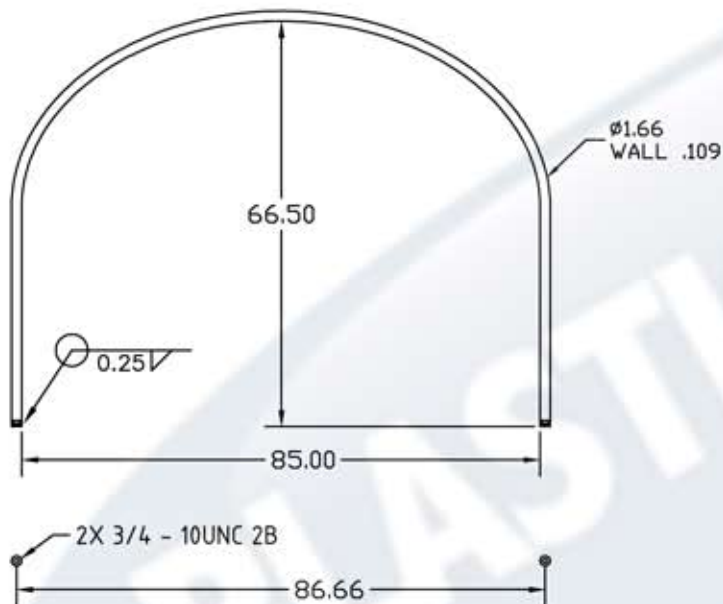
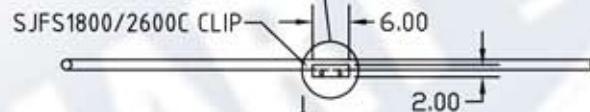
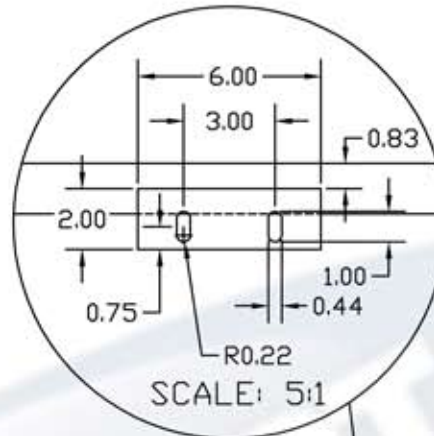
PROPRIETARY DATA

PROPERTY OF ACE ROTO-MOLD MFG., INC. INFORMATION FURNISHED HEREIN IS THE PROPERTY OF ACE ROTO-MOLD MFG., INC. AND SHALL NOT BE USED, DISCLOSED TO OTHERS, OR COPIED WITHOUT THE EXPRESSED WRITTEN CONSENT OF ACE ROTO-MOLD MFG., INC. ALL RIGHTS RESERVED.

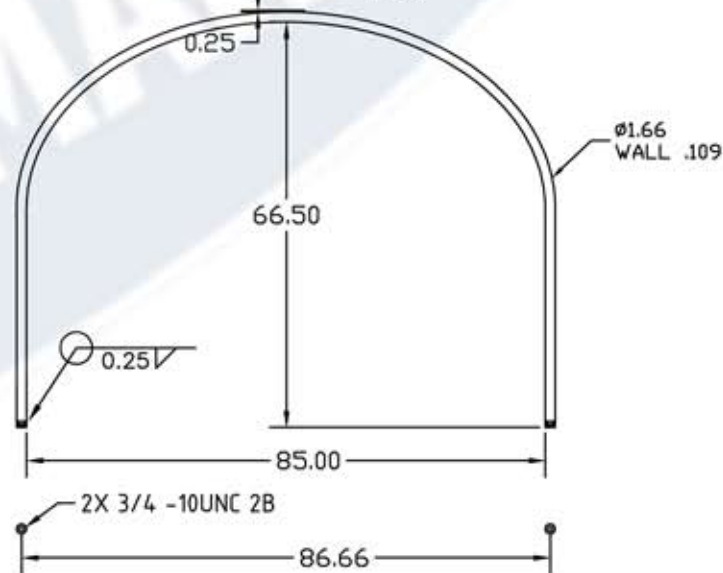
FS3200-HP



PART # FS3200-CP
CONNECTOR PLATE



PART # FS3200-HPP
HOOP WITH INSERTS
2 REQUIRED



PART # FS3200-HPPC
HOOP WITH CLIP AND INSERTS
2 REQUIRED

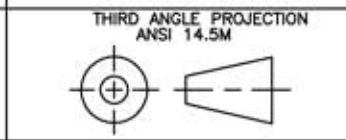
REV	DESCRIPTION	DATE	APPRD

DRAWN / DATE	NVE 5/23/06
APPRD. / DATE	REH 5/24/06

MATERIAL	MILD STEEL
----------	------------

PLASTIC-MART 866-310-2556

ALL DIMENSIONS ARE IN DECIMAL INCHES
TOLERANCES UNLESS OTHERWISE SPECIFIED
± 1% @ 68° F



- NOTES:
1. SINGLE HOOP WEIGHT: 29 LBS.
 2. BLACK COLOR POWDER COATED
 3. CONNECTOR PLATE WEIGHT: 18 LBS.

CLIENT / DESCRIPTION		HOOPS FOR 3200 GALLON FREE-STANDING HORIZONTAL TANK	
SCALE	N.S.	PART NO.	FS3200-HP