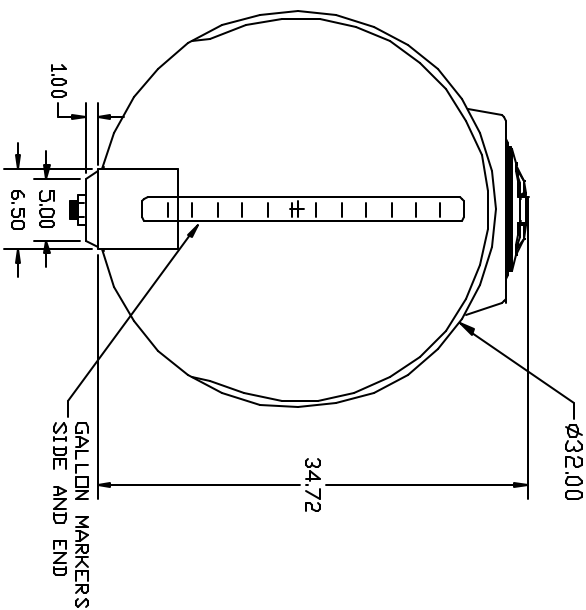
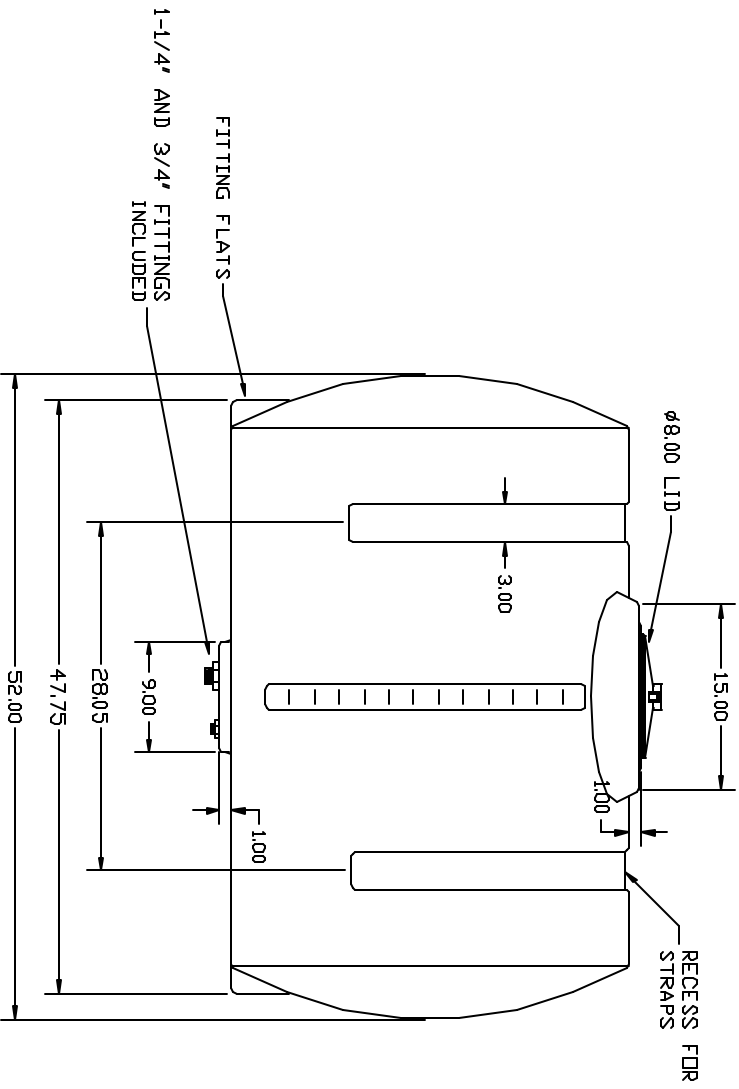
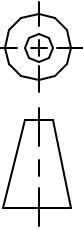


PROPERTY OF ACE ROTO-MOLD MFG. INC. INFORMATION FURNISHED HEREIN IS THE PROPERTY OF ACE ROTO-MOLD MFG. INC. AND SHALL NOT BE USED, DISCLOSED TO OTHERS, OR REPRODUCED WITHOUT THE EXPRESSED WRITTEN CONSENT OF ACE ROTO-MOLD MFG. INC. ALL RIGHTS RESERVED.



REV	DESCRIPTION	DATE	APPRD	DRAWN / DATE	MATERIAL
				NVE 6/8/15	
				APPRD. / DATE	
				DHJ 6/21/15	

THIRD ANGLE PROJECTION
ANSI X3.11



HOPE OR EQUIVALENT
REPRODUCE MATERIAL DATA SHEET
FOR SPECIFIC PROPERTIES.

- NOTES:
1. NOM. WALL @ 211
 2. WHITE OR COLDR
 3. SHOT WEIGHT 4.8 LBS.



CLIENT / DESCRIPTION

150 GALLON HORIZONTAL TANK
132" DIAI

SCALE

N.S.

PART NO.

HZ0150-32

ALL DIMENSIONS ARE IN DECIMAL INCHES
TOLERANCES UNLESS OTHERWISE SPECIFIED
+ 1% @ 68° F