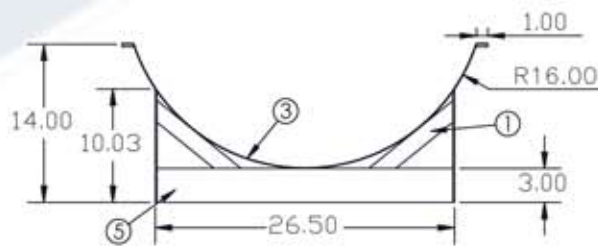
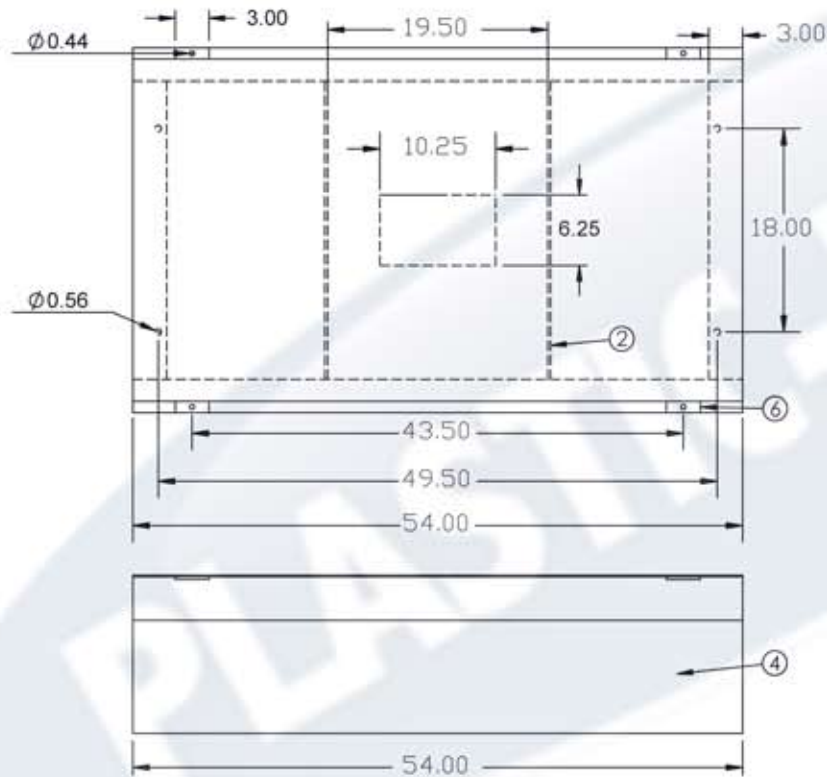


PROPERTY OF DEN HARTOG MFG., INC. INFORMATION FURNISHED HEREIN IS THE PROPERTY OF ACE ROTO-MOLD MFG., INC AND SHALL NOT BE USED, DISCLOSED TO OTHERS, OR COPIED WITHOUT THE EXPRESSED WRITTEN CONSENT OF ACE ROTO-MOLD MFG., INC. ALL RIGHTS RESERVED.

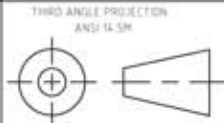
KEY	PART NUMBER	MATERIAL	DESCRIPTION	QTY.
1	HZ0232-C-1	B02500X15000	FLAT, 0.25 X 1.5	4 @ 10"(40 IN)
2	HZ0232-C-2	B02500X30000	FLAT, 0.25 X 3	2 @ 26.25 (52.5 IN)
3	HZ0232-C-3	S-14GA	SHEET, 14 GA	42" X 54"(2268 SI)
4	HZ0232-C-4	S-14GA	SHEET, 14 GA	2 @ 13" X 54"(1404 SI)
5	SJHZ0232C-1	A01875X30000	ANGLE, .1875 X 3	2 @ 26.25"(52.5)
6	SJHZ0232C-4	B02500X10000	FLAT, .25 X 1	4 @ 3"(12 IN)



REV	DESCRIPTION	BY / DATE	CCN	DRAWN / DATE	MATERIAL
B	TOLERANCE WAS 1% @ 68°F	GWC 3/14/07		ADH 8/13/07	
A	ADDED B.O.M, ISOLATED CRADLE	NVE 6/14/06		APPRD. / DATE	
				REH 11/26/07	

ALL DIMENSIONS ARE IN DECIMAL INCHES
TOLERANCES UNLESS OTHERWISE SPECIFIED

DECIMAL ± .125"
FRACTION ± 1/4"
ANGLE 1°



NOTES



866-310-2556

DESCRIPTION CRADLE FOR 200 GALLON Ø32 HORIZONTAL TANK

SCALE N.S.

PART NO HZ0232-C