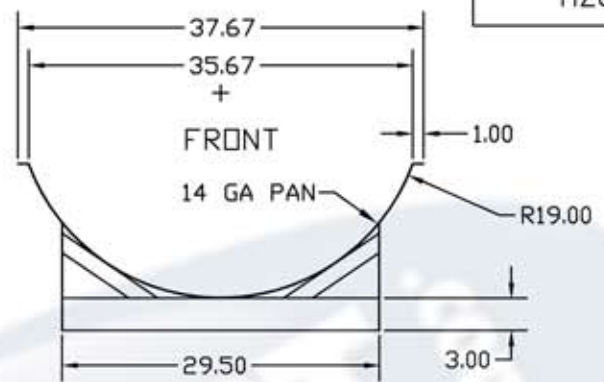
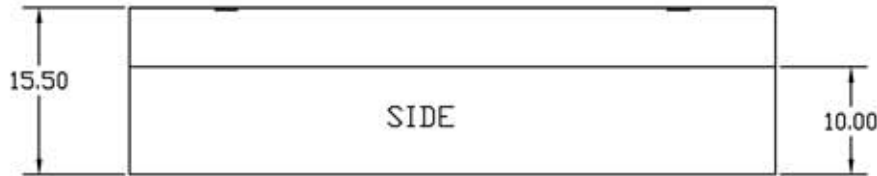
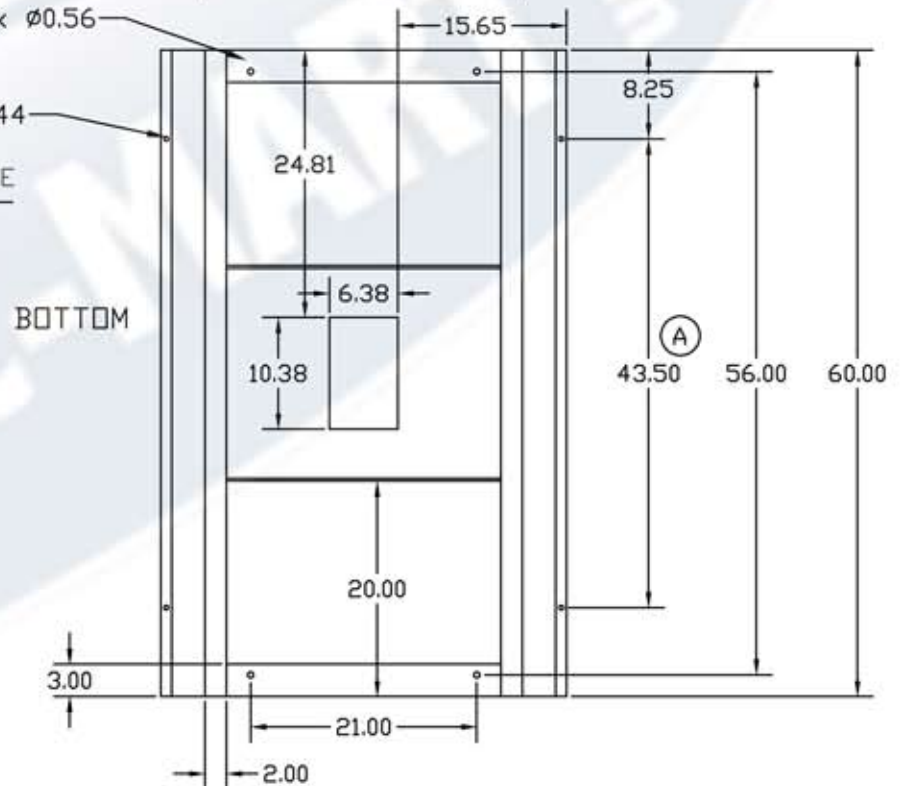


PROPRIETARY DATA

PROPERTY OF ACE ROTO-MOLD MFG., INC. INFORMATION FURNISHED HEREIN IS THE PROPERTY OF ACE ROTO-MOLD MFG., INC. AND SHALL NOT BE USED, DISCLOSED TO OTHERS, OR COPIED WITHOUT THE EXPRESSED WRITTEN CONSENT OF ACE ROTO-MOLD MFG., INC. ALL RIGHTS RESERVED.



HZ0300-CD POWDER COATED CRADLE  
ONE REQUIRED



HZ0300-CSPS POWDER COATED STEEL BANDS  
TWO REQUIRED WITH J BOLTS



DRAWN / DATE		MATERIAL	
NVE 7/8/05		STEEL	
APPRD. / DATE		NOTES:	
DHJ 9/27/05		1. POWDER COATED - BLACK COLOR 2. WEIGHT 145 LBS.	
THIRD ANGLE PROJECTION ANSI 14.5M			

**PLASTIC-MART** 866-310-2556

CLIENT / DESCRIPTION	
CRADLE FOR 300 GALLON HORIZONTAL TANK	
SCALE	PART NO.
N.S.	HZ0300-C

ALL DIMENSIONS ARE IN DECIMAL INCHES  
TOLERANCES UNLESS OTHERWISE SPECIFIED  
DECIMAL +/- .125"  
FRACTION +/- 1/4"  
ANGLE +/- 1°