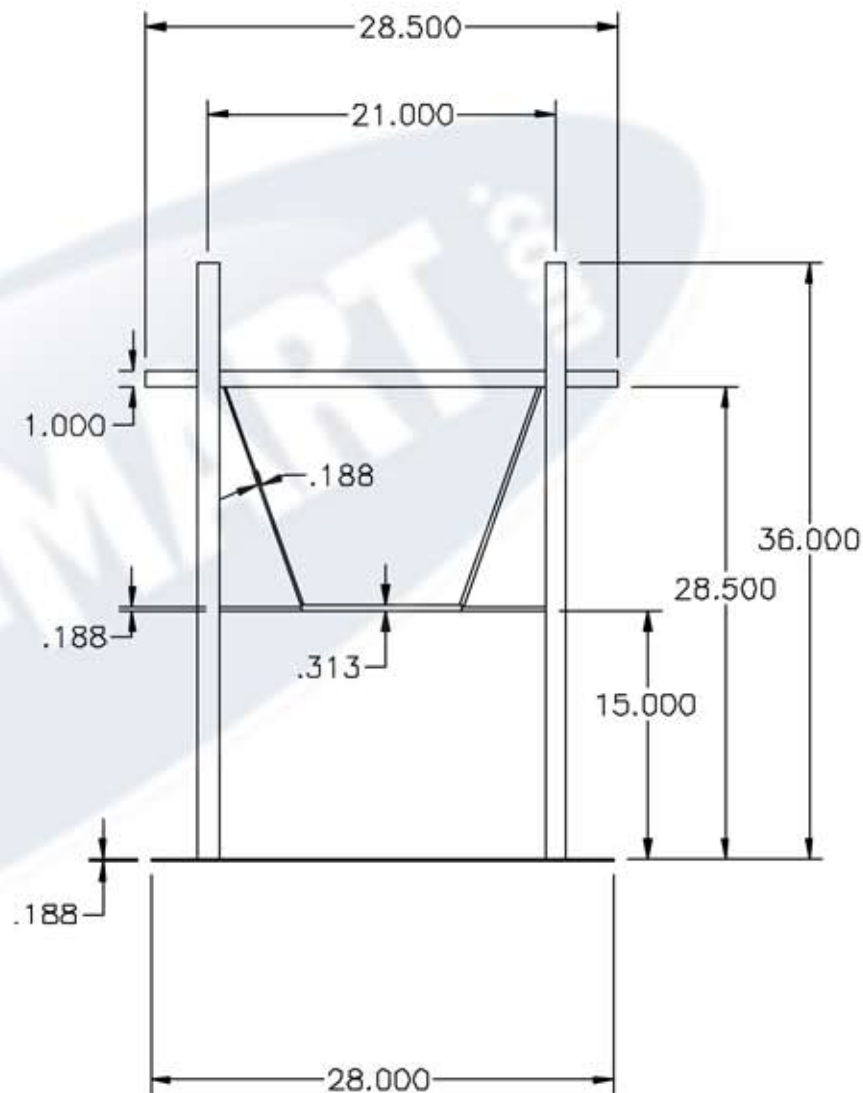
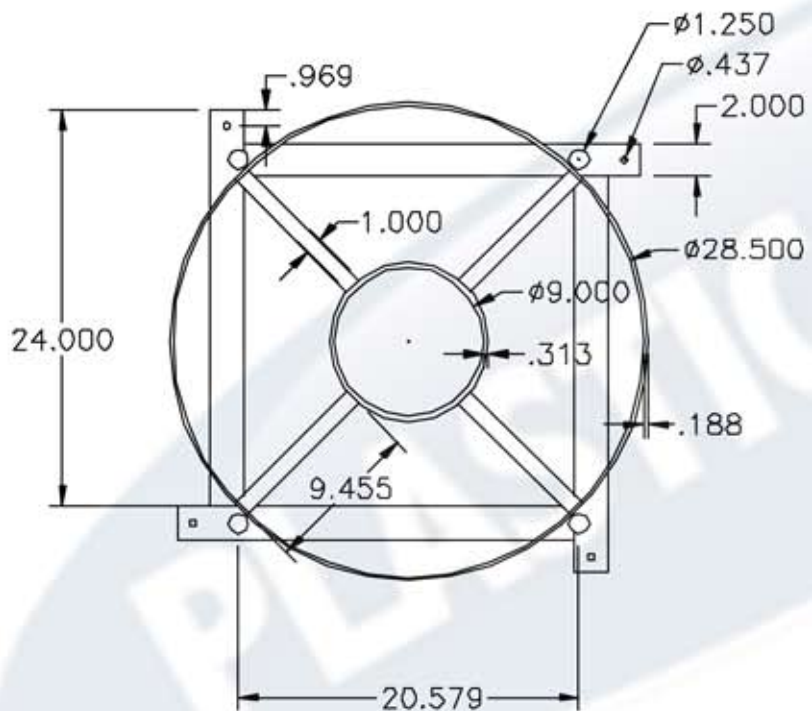


PROPRIETARY DATA

IN40/85-ST

PROPERTY OF ACE ROTO-HOLD MFG., INC. INFORMATION FURNISHED HEREIN IS THE PROPERTY OF ACE ROTO-HOLD MFG., INC. AND SHALL NOT BE USED, DISCLOSED TO OTHERS, OR COPIED WITHOUT THE EXPRESSED WRITTEN CONSENT OF ACE ROTO-HOLD MFG., INC. ALL RIGHTS RESERVED.



| | | | | | |
|---|-------------|------|--------|---|--|
| | | | | DRAWN / DATE NVE 6/20/15 | MATERIAL STEEL REFERENCE MATERIAL DATA SHEET FOR SPECIFIC PROPERTIES. |
| | | | | APPRD. / DATE DHJ 6/22/15 | |
| REV | DESCRIPTION | DATE | APPRD. | | |
| ALL DIMENSIONS ARE IN DECIMAL INCHES TOLERANCES UNLESS OTHERWISE SPECIFIED ± 1% @ 68° F | | | | THIRD ANGLE PROJECTION ANSI #15B | NOTES: 1. NOM. WALL @ xxxxx 2. xxxxxxxx COLOR 3. SHOT WEIGHT 40 LBS. |

866-310-2556

CLIENT / DESCRIPTION

40, 85, OR 110 GALLON INDUCTOR STAND

| | | | |
|-------|------|----------|------------|
| SCALE | N.S. | PART NO. | IN40/85-ST |
|-------|------|----------|------------|