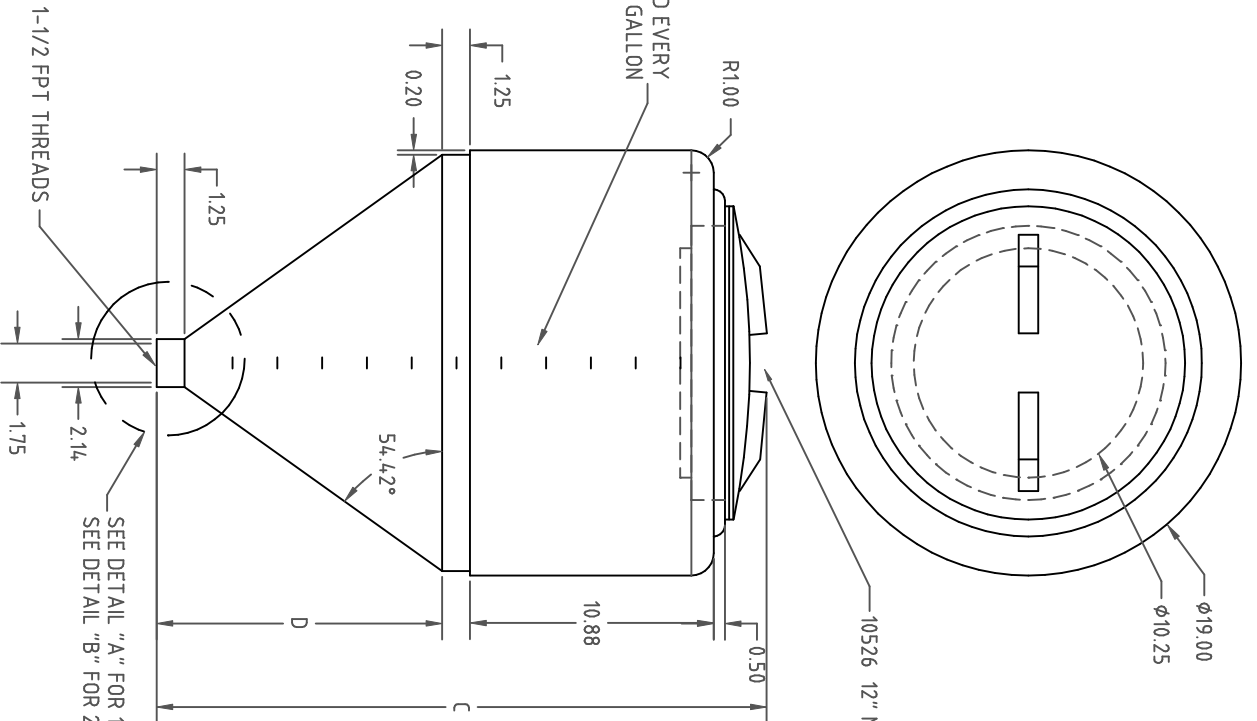
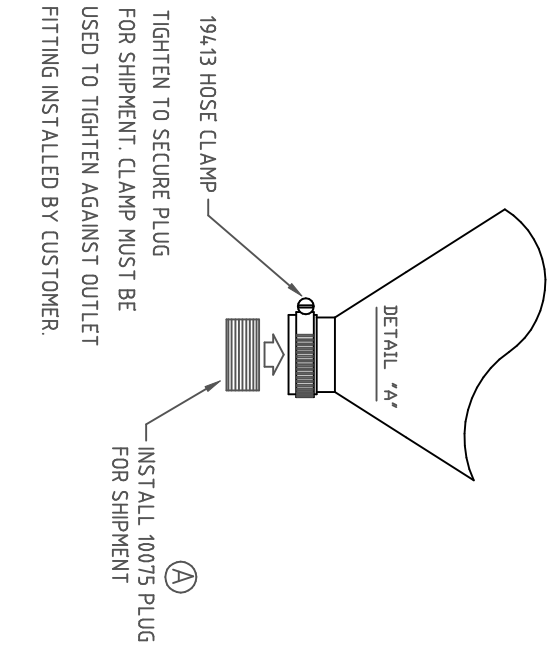
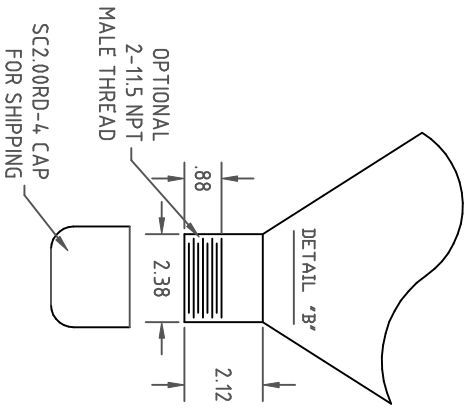


Copyright. All information furnished within this document, electronic file or design correspondence is the property of Den Hartog Industries, Inc. and shall not be used, disclosed to others or copied without the expressed written consent of Den Hartog Industries, Inc.



DIMENSION C
 27.25 FOR 1.5 NPT OUTLET
 30.00 FOR 2.00 NPT OUTLET

DIMENSION D
 12.75 FOR 1.5 NPT OUTLET
 13.50 FOR 2.00 NPT OUTLET

19413 HOSE CLAMP
 TIGHTEN TO SECURE PLUG FOR SHIPMENT. CLAMP MUST BE USED TO TIGHTEN AGAINST OUTLET FITTING INSTALLED BY CUSTOMER.

INSTALL 10075 PLUG FOR SHIPMENT

REV	DESCRIPTION	BY / DATE	CCN	SHOT WEIGHT:	10 LBS.	NOTES:	
B	ADDED 2 INCH MALE THREAD OPTION	DHJ 8/15/11	2269	SHIPPING WEIGHT:	12 LBS.	1.20 WALL	
A	10075 PLUG WAS 19412 PLUG	ADH 1/28/08	1579				
ALL DIMENSIONS ARE IN DECIMAL INCHES TOLERANCES UNLESS OTHERWISE SPECIFIED POLYETHYLENE							
DRAWN / DATE DHJ 2/7/07				MATERIAL MEDIUM DENSITY POLYETHYLENE			
APPROD. / DATE REH 6/29/06				FINISH:			
THIRD ANGLE PROJECTION ANSI X1.5M				DESCRIPTION 15 GALLON INDUCTOR FULL DRAIN			
METAL DECIMAL ± .125" FRACTION ± 1/4" ANGLE ± 1°				SCALE N.S.			
PART NO. INF15-19				Den Hartog INDUSTRIES, INC. Ace Roto-Mold Injection Molding Blow Molding Saw Joy 4010 HOSPERS DRIVE S. BOX 425, HOSPERS, IOWA 51238-0425			