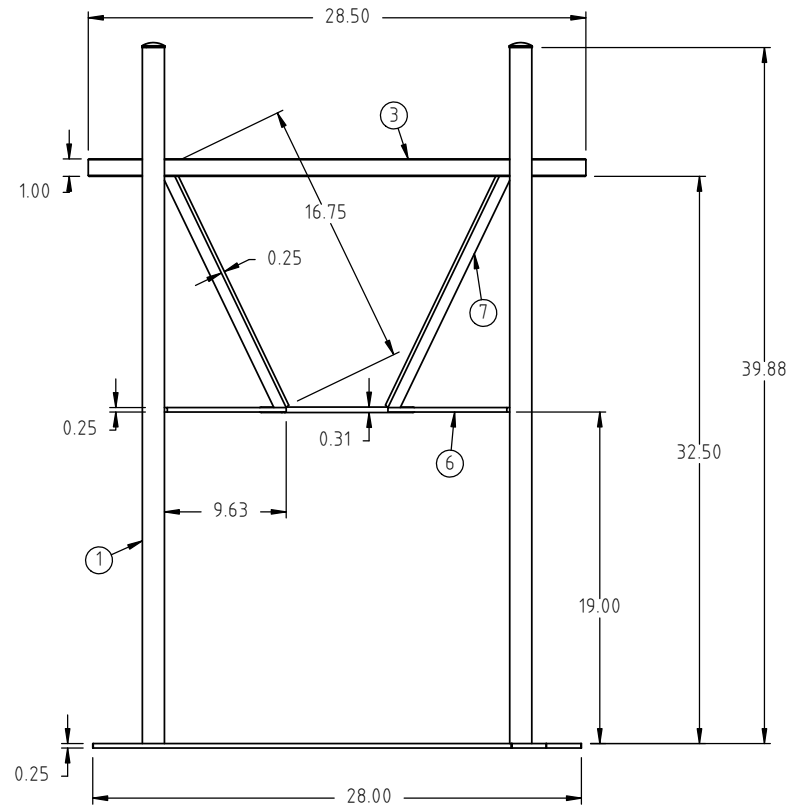
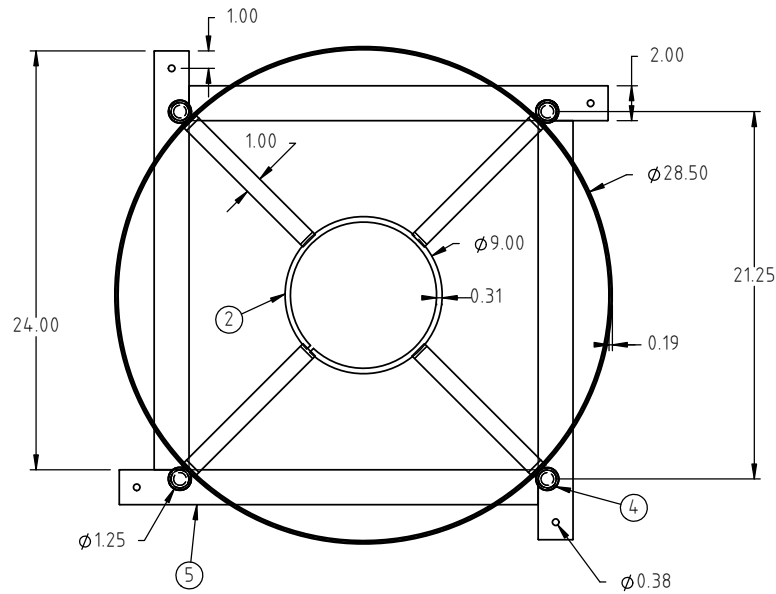


© DEN HARTOG INDUSTRIES, INC.


Copyright. All information furnished within this document, electronic file or design correspondence is the property of Den Hartog Industries, Inc. and shall not be used, disclosed to others or copied without the expressed written consent of Den Hartog Industries, Inc.

KEY	PART NUMBER	DESCRIPTION	QTY.
1	INFD40-85-ST-1	LEG PIPE	4
2	IN40-85-ST-2	CENTER RING	1
3	IN40-85-ST-3	RING	1
4	12583	1" PIPE PLUG	4
5	IN40-85-ST-5	BASE STRAP	4
6	IN40-85-ST-6	HORIZONTAL SUPPORT BAR	4
7	IN40-85-ST-7	ANGLED SUPPORT STRAP	4

INFD40/85-ST



REV	DESCRIPTION	BY / DATE	CCN	DRAWN / DATE	MATERIAL
				ADH 11/20/15	
				REH 12/14/15	
				SHOT WEIGHT:	NOTES:
				SHIPPING WEIGHT: 49 LBS	
				FINISH: POWDER COATING, BLACK TILE, 40012	



Den Hartog
INDUSTRIES, INC.

Ace Roto-Mold Injection Molding Blow Molding Sowjoy

4010 HOSPERS DRIVE S. BOX 425, HOSPERS, IOWA 51238-0425

DESCRIPTION		40,85, OR 110 GALLON FULL DRAIN INDUCTOR STAND	
SCALE	N.S.	PART NO.	INFD40/85-ST

ALL DIMENSIONS ARE IN DECIMAL INCHES
TOLERANCES UNLESS OTHERWISE SPECIFIED

POLYETHYLENE
±1% @ 68°F

METAL
DECIMAL ± .125"
FRACTION ± 1/4"
ANGLE ± 1°

THIRD ANGLE PROJECTION
ANSI 14.5M

