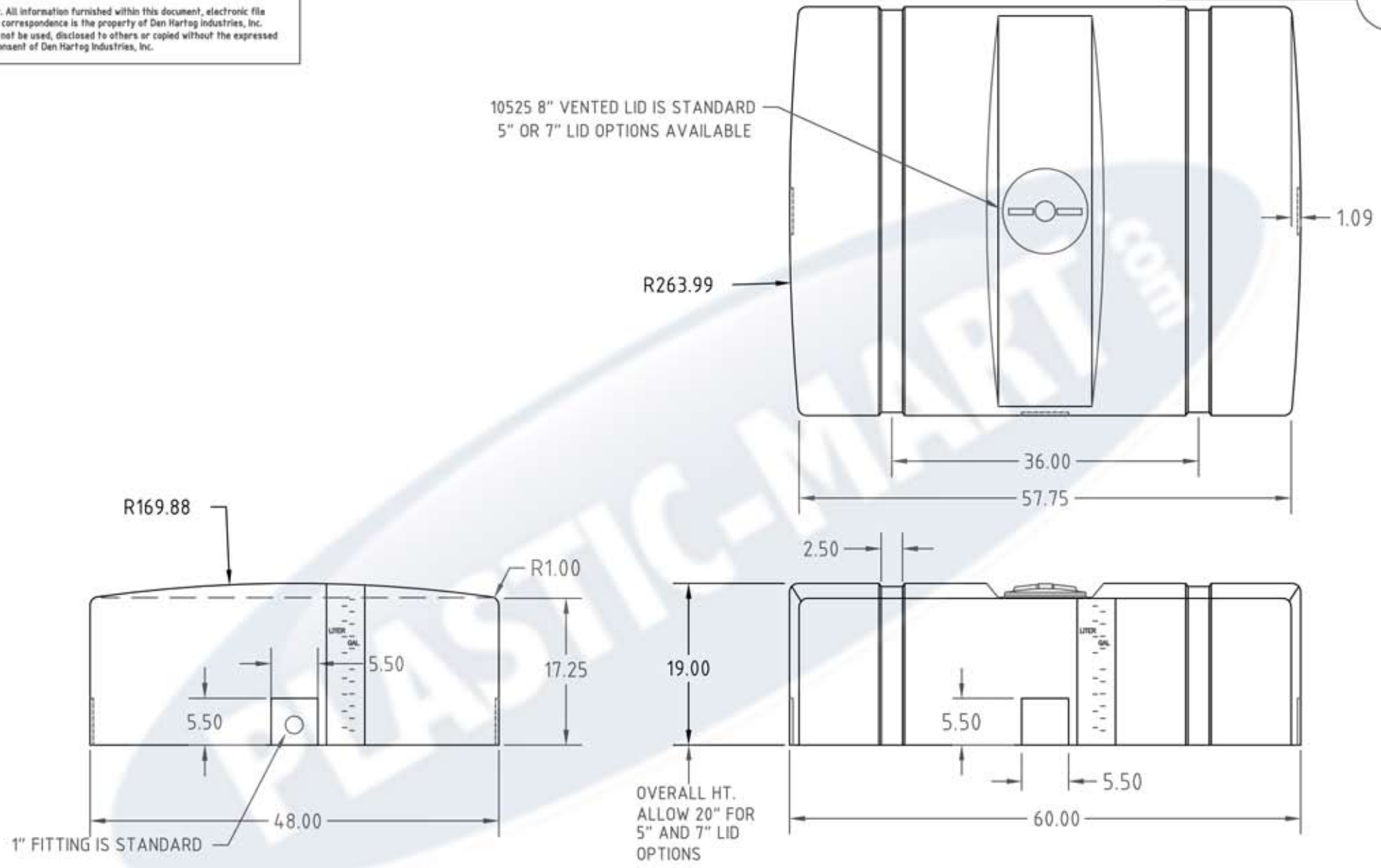


10525 8" VENTED LID IS STANDARD
 5" OR 7" LID OPTIONS AVAILABLE



OVERALL HT.
 ALLOW 20" FOR
 5" AND 7" LID
 OPTIONS

		DRAWN / DATE DHJ 6/12/06		MATERIAL HDPE OR EQUIVALENT REFERENCE MATERIAL DATA SHEET FOR SPECIFIC PROPERTIES.	
A LID WAS 5" HINGED STYLE		REH 8/13/09 1909		APPRD. / DATE ADH 11/19/07	
REV DESCRIPTION		BY / DATE CCN		SHOT WEIGHT: 82 LBS.	
ALL DIMENSIONS ARE IN DECIMAL INCHES TOLERANCES UNLESS OTHERWISE SPECIFIED		THIRD ANGLE PROJECTION ANSI 14.5M		SHIPPING WEIGHT: 84 LBS.	
POLYETHYLENE		METAL		FINISH:	
±1% @ 68° F		DECIMAL ± .125" FRACTION ± 1/4" ANGLE ± 1°		NOTES: 1. NOM. WALL @ .260 2. NATURAL OR YELLOW COLOR	



866-310-2556

DESCRIPTION 200 GAL. LOW PROFILE RECTANGULAR TANK	
SCALE N.S.	PART NO. LP0200-RT