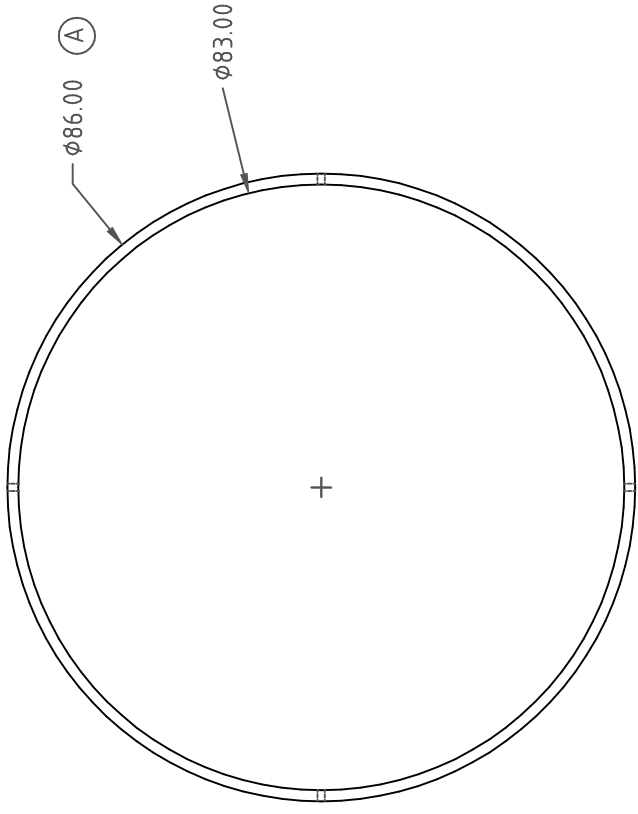


PROPRIETARY DATA

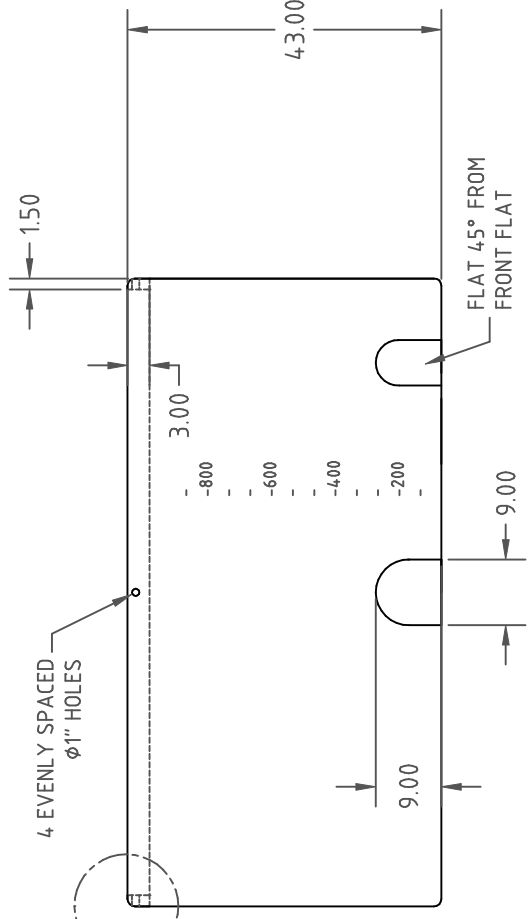
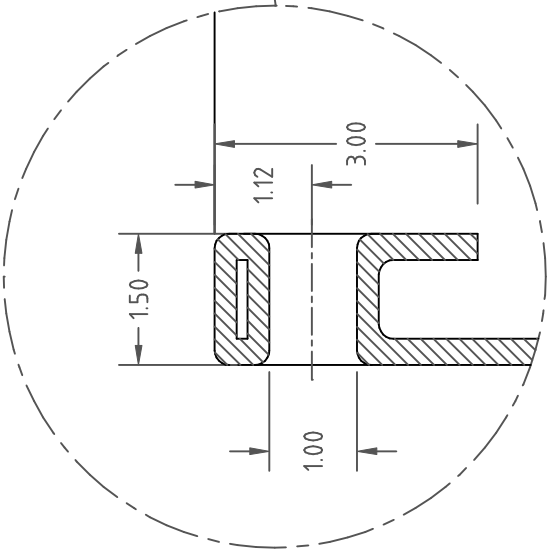
PROPERTY OF DEN HARTOG INDUSTRIES, INC. INFORMATION FURNISHED HEREIN IS THE PROPERTY OF DEN HARTOG INDUSTRIES, INC. AND SHALL NOT BE USED, DISCLOSED TO OTHERS, OR COPIED WITHOUT THE EXPRESSED WRITTEN CONSENT OF DEN HARTOG INDUSTRIES, INC. ALL RIGHTS RESERVED.

OP0900-86

B



DETAIL OF RIM (B)



**ACE ROTO-MOLD**  
 A DIVISION OF DEN HARTOG INDUSTRIES, INC.  
 4010 HOSPERS DRIVE SOUTH, BOX 425, HOSPERS, IOWA 51238

CLIENT / DESCRIPTION: 900 GALLON OPEN TOP TANK - NO LID

SCALE: N.S. PART NO. OP0900-86

MATERIAL	HDPE OR EQUIVALENT REFERENCE MATERIAL DATA SHEET FOR SPECIFIC PROPERTIES.
NOTES:	1. .190 WALL THICKNESS AT FLAT 2. SHOT WEIGHT 175 LBS. 3. SHIP WEIGHT 175 LBS.

DRAWN / DATE	NVE 6/13/05
APPROD. / DATE	DHJ 6/22/05
THIRD ANGLE PROJECTION ANSI 14.5M	

REV	DESCRIPTION	DATE	APPROD	CCN
B	CLARIFY THROUGH HOLE	4/8/08	DHJ	1643
A	DIAMETER WAS 85, PN WAS OP0900-85	7/31/06	NVE	

ALL DIMENSIONS ARE IN DECIMAL INCHES  
 TOLERANCES UNLESS OTHERWISE SPECIFIED  
 + 1% @ 68° F  
 -