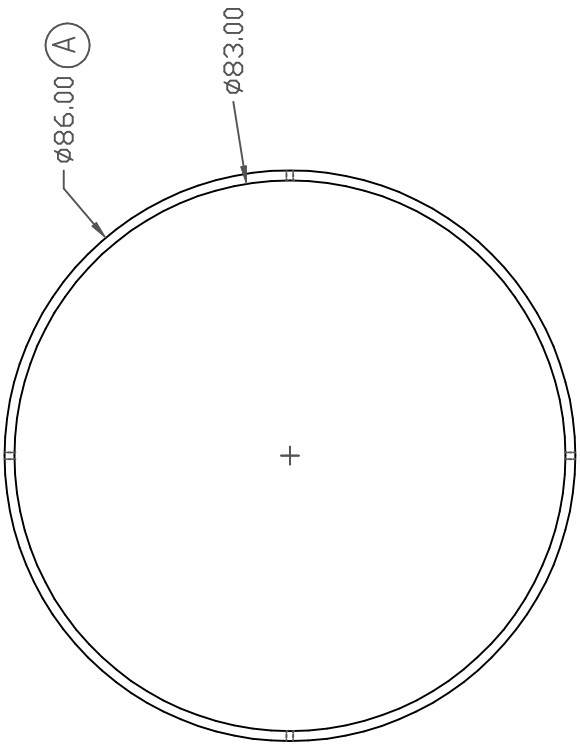
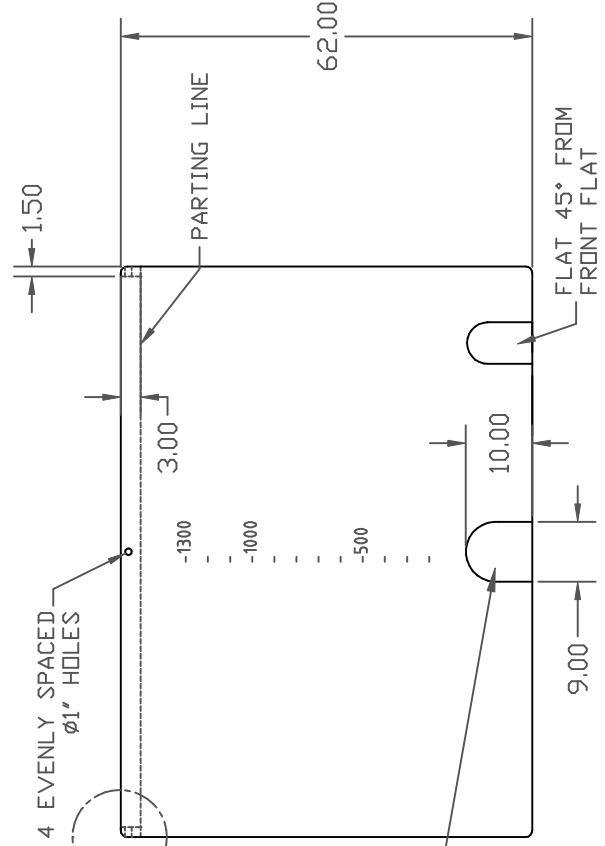
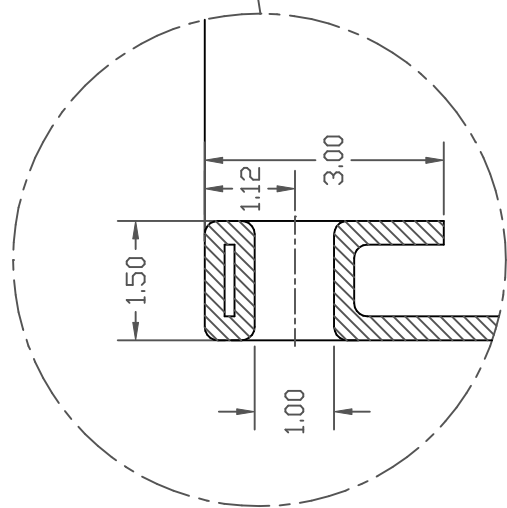


PROPERTY OF DEN HARTOG INDUSTRIES, INC. INFORMATION FURNISHED HEREIN IS THE PROPERTY OF DEN HARTOG INDUSTRIES, INC. AND SHALL NOT BE USED, DISCLOSED TO OTHERS, OR COPIED WITHOUT THE EXPRESSED WRITTEN CONSENT OF DEN HARTOG INDUSTRIES, INC. ALL RIGHTS RESERVED.



DETAIL OF RIM (B)



2 INCH STANDARD FITTING

ACE ROTO-MOLD
 A DIVISION OF DEN HARTOG INDUSTRIES, INC.
 4010 HWY. 60 BLVD. BOX 425, HOSPERS, IOWA 51238

CLIENT / DESCRIPTION		1350 GALLON OPEN TOP TANK - NO LID	
SCALE	N.S.	PART NO.	OP1350-86

REV	DESCRIPTION	DATE	APPROD	CCN	DRAWN / DATE	MATERIAL
B	CLARIFY THROUGH HOLE	4/8/08	DHJ	1643	NVE 6/13/05	HDPE OR EQUIVALENT REFERENCE MATERIAL DATA SHEET FOR SPECIFIC PROPERTIES.
A	DIA WAS 85, PN WAS OP1350-85	7/31/06	NVE		DHJ 6/22/05	
ALL DIMENSIONS ARE IN DECIMAL INCHES TOLERANCES UNLESS OTHERWISE SPECIFIED + 1% @ 68° F -						
NOTES: 1. .260 WALL THICKNESS AT FITTING 2. SHOT WEIGHT 217 LBS. 3. SHIP WEIGHT 217 LBS.					THIRD ANGLE PROJECTION ANSI 14.5M 	