

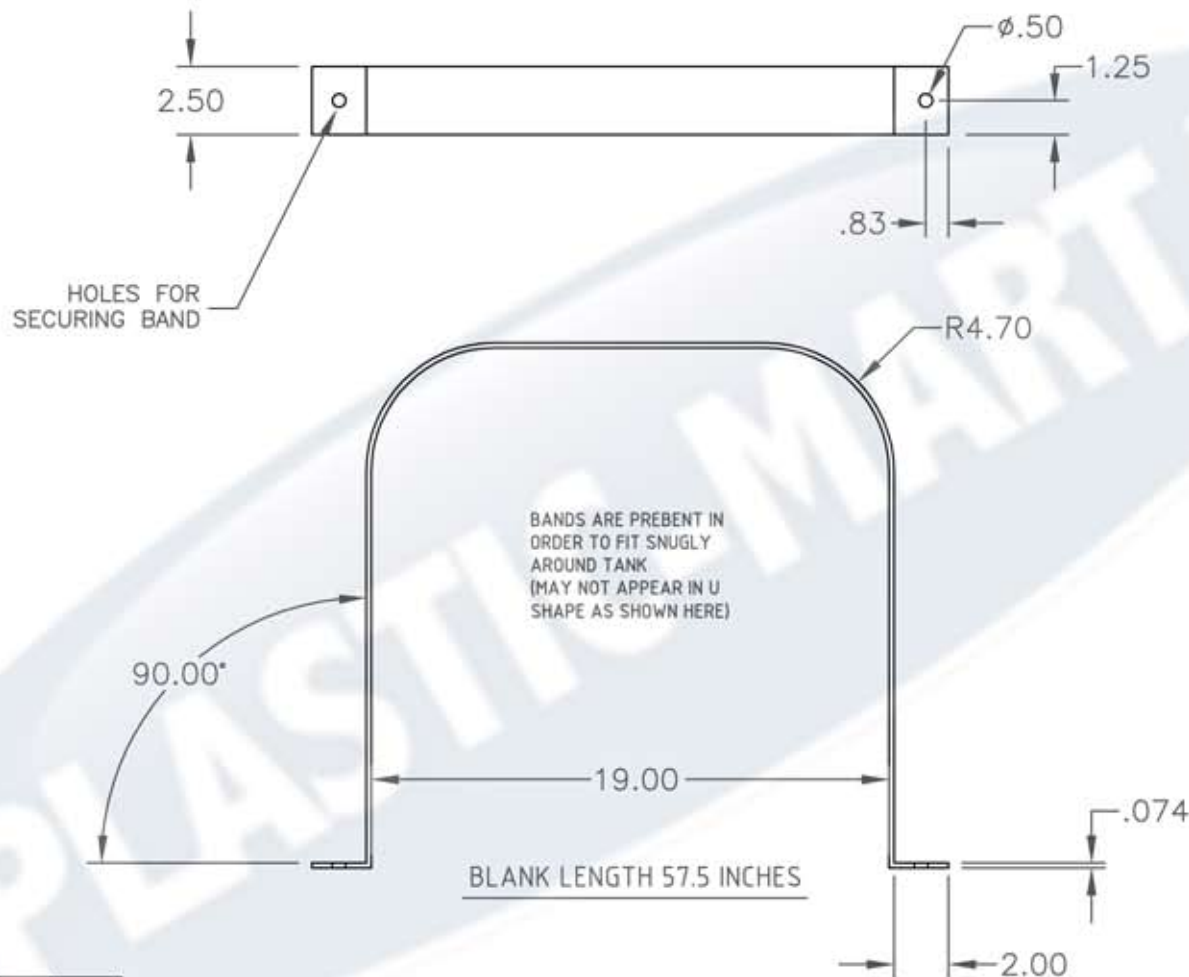
PROPRIETARY DATA

PROPERTY OF ACE ROTO-MOLD MFG., INC. INFORMATION FURNISHED HEREIN IS THE PROPERTY OF ACE ROTO-MOLD MFG., INC. AND SHALL NOT BE USED, DISCLOSED TO OTHERS, OR COPIED WITHOUT THE EXPRESSED WRITTEN CONSENT OF ACE ROTO-MOLD MFG., INC. ALL RIGHTS RESERVED.

PC0050-SBPS

B

PC0050-SBP 2 PER SET



B	REMOVE SINGLE BAND TEXT BOX	3/13/07	GWC
B	ADD TEXT BOX/ADD S TO PART #	3/13/07	GWC
A	ADD SINGLE BAND PART NUMBER	3/13/07	GWC
A	PART NO. WAS PC0050-SBPS	3/13/07	GWC
A	TOLERANCE WAS 1% @ 68° F	3/13/07	GWC
REV	DESCRIPTION	DATE	APPRD

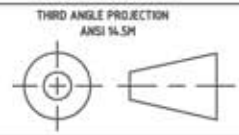
DRAWN / DATE	MATERIAL
DHJ 3/7/06	14 GA. MILD STEEL
APPRD. / DATE	
REH 3/15/06	

PLASTIC-MART 866-310-2556

CLIENT / DESCRIPTION: POWDER COATED STEEL BAND FOR 50 GALLON PCO TANKS

SCALE: N.S. PART NO.: PC0050-SBPS

ALL DIMENSIONS ARE IN DECIMAL INCHES
TOLERANCES UNLESS OTHERWISE SPECIFIED
DECIMAL +/- .064"
FRACTION +/- 1/8"
ANGLE +/- 1°



NOTES:
1. POWDER COAT SILVER COLOR
2. WEIGHT PER BAND = 3 LB.